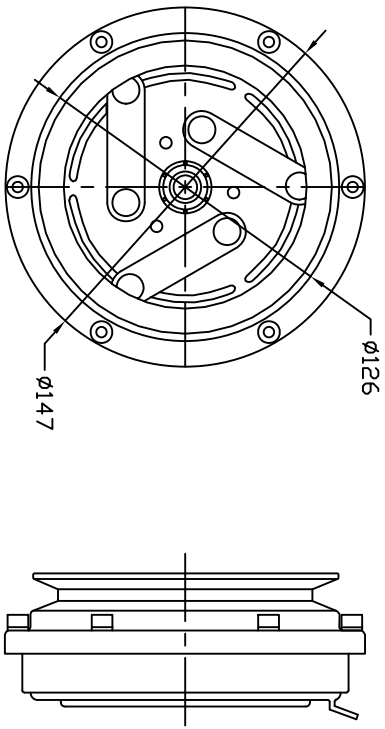
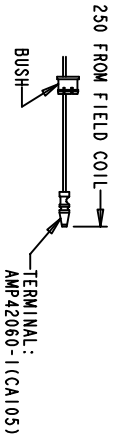


REVISIONS				
CHANGE ORDER	LTR	DESCRIPTION	DATE	APPROVED



- CLUTCH SPECIFICATIONS:
- VOLTAGE..... 12 VDC
 - BELT..... A1
 - STATIC TORQUE..... 35 Nm (3.5 Kgfm)
INITIAL..... 49 Nm (5 Kgfm)
 - AFTER BURNISHING..... 49 Nm (5 Kgfm)
 - MAX POWER CONSUMPTION..... 45W @ 25°C
 - ROTATION DIRECTION..... CW OR CCW
 - WEIGHT..... **** Kg



TERMINAL LEAD DETAIL

UNLESS OTHERWISE SPECIFIED
DIMENSIONS ARE IN MM. PER
INTERPRET DIM AND TOL PER
ASME Y14.5M - 1994

THIRD ANGLE PROJECTION



FINISH

CAD GENERATED DRAWING;
DO NOT MANUALLY UPDATE

DRAWN	GLB	DATE
CHECKED		08/14/08

APPROVED

ENG APPVL

DOVE PRODUCTS, LLC

TITLE CLUTCH 08-16

A1, 126mm DD, 12VDC

LEAF SPRING, OVER HANG

SIZE A CODE IDENT NO DWG NO QPCL-0147 REV

SCALE NONE

SHEET 1 OF 1