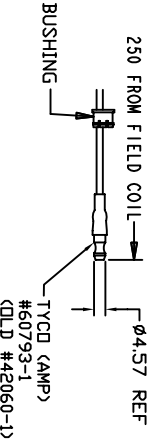
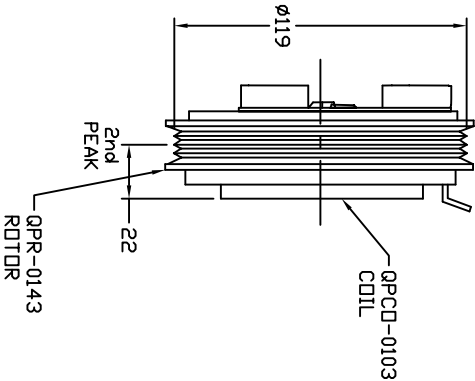
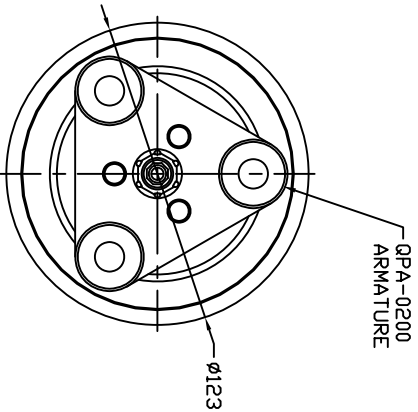
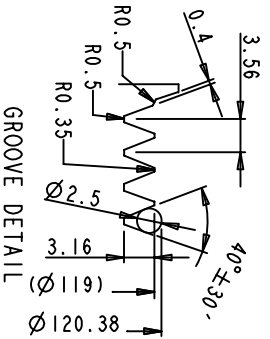


REVISIONS			DATE	APPROVED
CHANGE ORDER	LTR	DESCRIPTION		

- CLUTCH SPECIFICATIONS:
- VOLTAGE..... 12 VDC
  - BELT..... PV4
  - STATIC TORQUE..... 35 Nm (3.5 Kgfm)
  - INITIAL..... 49 Nm (5 Kgfm)
  - AFTER BURNISHING..... 45W @ 25°C
  - MAX POWER CONSUMPTION..... CW OR CCW
  - ROTATION DIRECTION..... 2.28 Kg
  - WEIGHT.....



TERMINAL LEAD DETAIL



UNLESS OTHERWISE SPECIFIED  
DIMENSIONS ARE IN MM. PER  
INTERPRET DIM AND TOL. PER  
ASME Y14.5M - 1994

THIRD ANGLE PROJECTION



FINISH

CAD GENERATED DRAWING;  
DO NOT MANUALLY UPDATE

DRAWN GLOB DATE 06/16/09

CHECKED

APPROVED

ENG APPVL



TITLE CLUTCH 08-16

PV4 119MM 12VDC 3 EYE

SIZE CODE IDENT NO DWG NO QPCL-0154

SCALE NONE SHEET 1 OF 1