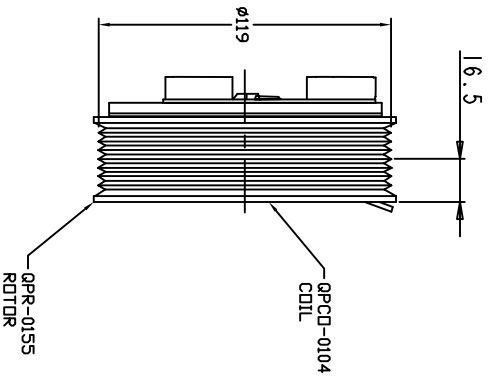
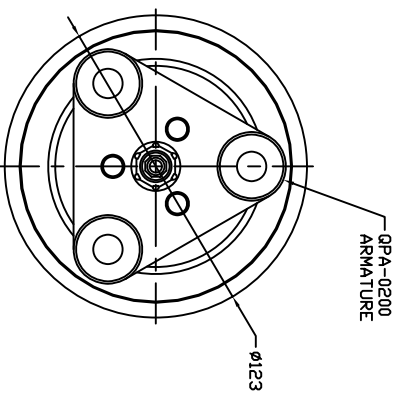
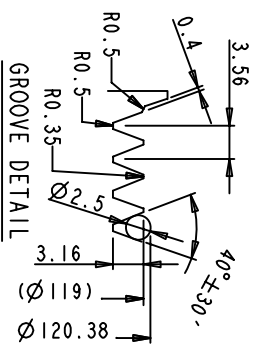
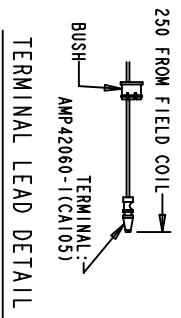


REVISIONS				
CHANGE ORDER	LTR	DESCRIPTION	DATE	APPROVED



- CLUTCH SPECIFICATIONS:
- VOLTAGE..... 24 VDC
 - BELT..... PV8
 - STATIC TORQUE..... 35 Nm (3.5 Kgf·m)
 - INITIAL..... 49 Nm (5 Kgf·m)
 - AFTER BURNISHING..... 45W @ 25°C
 - MAX POWER CONSUMPTION..... CW OR CCW
 - ROTATION DIRECTION..... 2.3 Kg
 - WEIGHT.....



UNLESS OTHERWISE SPECIFIED DIMENSIONS ARE IN MM. PER INTERPRET DIM AND TOL. PER ASME Y14.5M - 1994		CAD GENERATED DRAWING; DO NOT MANUALLY UPDATE	
THIRD ANGLE PROJECTION	CHECKED	GLB	DATE
FINISH	APPROVED		
	ENG APPVL		
TITLE		CLUTCH 08-16	
P/V8 119MM 24 VDC 3-EYE		QPCL-0156	
SCALE NONE	SHEET 1 OF 1		

QQUE PRODUCTS, LLC

