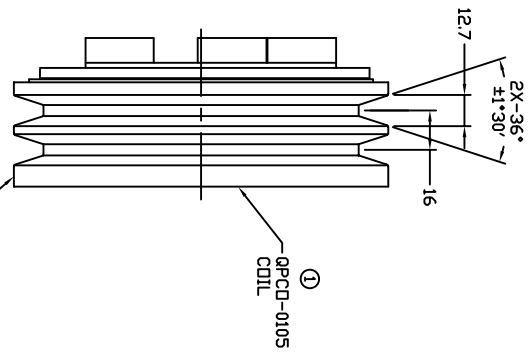
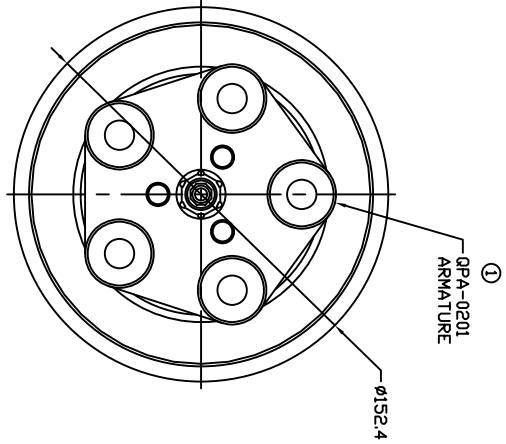
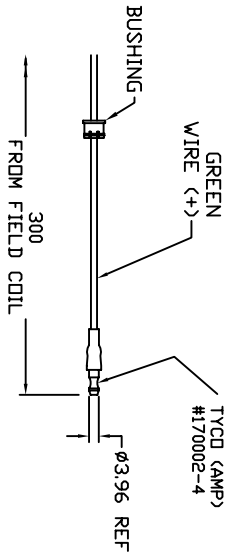


REVISIONS				
CHANGE ORDER	LTR	DESCRIPTION	DATE	APPROVED
Q09033	1	170002 WAS 60793, ADDED PART NDS	11/12/09	



- CLUTCH SPECIFICATIONS:
- VOLTAGE..... 24 VDC
 - BELT..... A2
 - MIN STATIC TORQUE..... 78 N•m (8 kgfm)
 - MAX POWER CONSUMPTION..... 48W @ 25°C
 - MINIMUM PULL-IN VOLTAGE... 21V @ 90°C
 - MASS..... 4.7 kg



UNLESS OTHERWISE SPECIFIED DIMENSIONS ARE IN MM. PER INTERPRET DIM AND TOL PER ASME Y14.5M - 1994		CAD GENERATED DRAWING; DO NOT MANUALLY UPDATE	
THIRD ANGLE PROJECTION	DRAWN	GLB	DATE
	CHECKED		09/25/08
	APPROVED		
FINISH	ENG APPVL		



TITLE			
CLUTCH QP31			
SIZE	CODE IDENT NO	DWG NO	REV
A		QPCL-0164	1
SCALE	NONE	SHEET	1 OF 1