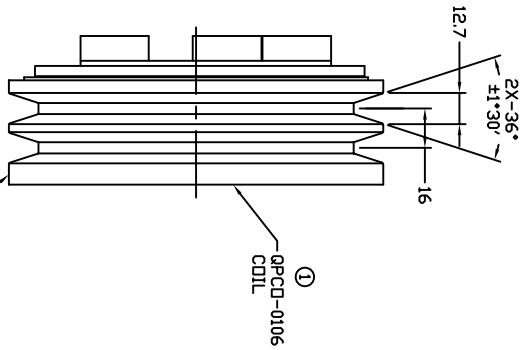
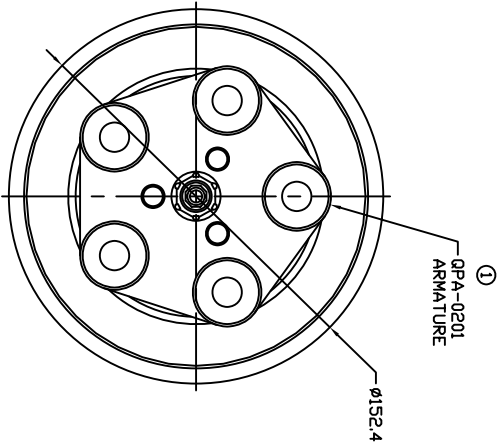
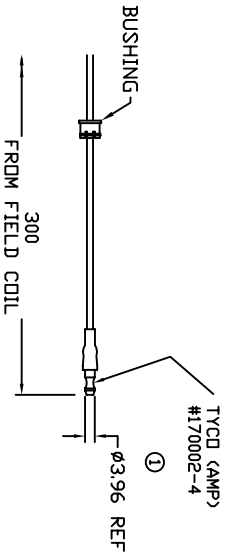


REVISIONS				
CHANGE ORDER	LTR	DESCRIPTION	DATE	APPROVED
Q09033	1	170002 WAS 60793, ADDED PART NDS	11/12/09	



- CLUTCH SPECIFICATIONS:
- VOLTAGE..... 12 VDC
 - BELT..... A2
 - MIN STATIC TORQUE..... 78 N•m (8 kgfm)
 - MAX POWER CONSUMPTION..... 46W @ 25°C
 - MINIMUM PULL-IN VOLTAGE... 10.5V @ 90°C
 - MASS..... 4.7 kg



UNLESS OTHERWISE SPECIFIED
DIMENSIONS ARE IN MM. PER
INTERPRET DIM AND TOL PER
ASME Y14.5M - 1994

THIRD ANGLE PROJECTION



FINISH

QQUE PRODUCTS, LLC

TITLE
CLUTCH QP31

A2 152.4mm 12V 5-EYE

SIZE CODE IDENT NO DWG NO
A QPCL-0165

SCALE NONE SHEET 1 OF 1

CAD GENERATED DRAWING;
DO NOT MANUALLY UPDATE

DATE
08/14/08

GLB

CHECKED
APPROVED
ENG APPVL