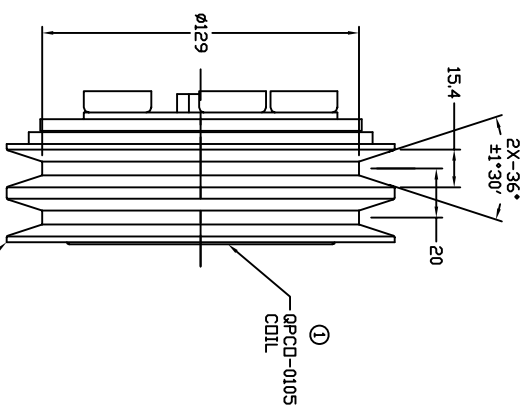
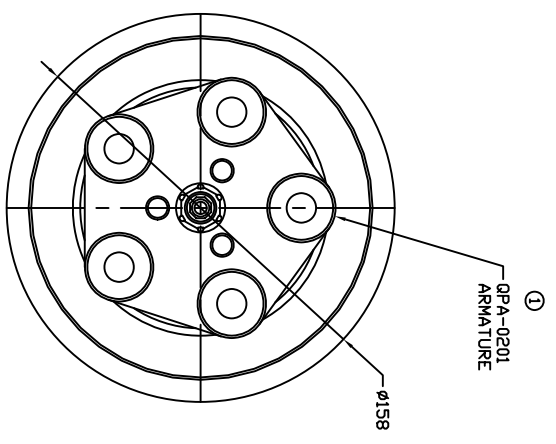
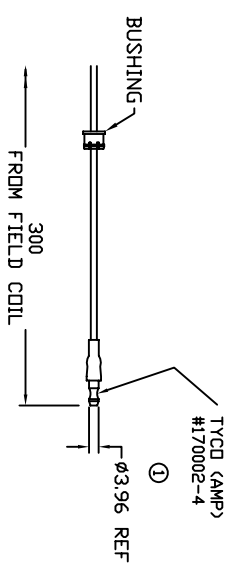


REVISIONS				
CHANGE ORDER	LTR	DESCRIPTION	DATE	APPROVED
Q09033	1	170002 WAS 60793, ADDED PART NDS	11/13/09	



CLUTCH SPECIFICATIONS:

- VOLTAGE..... 24 VDC
- BELT..... B2
- MIN STATIC TORQUE..... 78 Nm (8 kgfm)
- MAX POWER CONSUMPTION..... 46W @ 25°C
- MINIMUM PULL-IN VOLTAGE..... 10.5V @ 90°C
- MASS..... 4.8 kg



UNLESS OTHERWISE SPECIFIED
DIMENSIONS ARE IN MM. PER
INTERPRET DIM AND TOL PER
ASME Y14.5M - 1994

THIRD ANGLE PROJECTION



FINISH

DOVE PRODUCTS, LLC

TITLE CLUTCH QP31

B2 158mm 24V 5-EYE

QPCL-0167

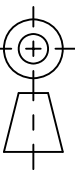
SCALE NONE SHEET 1 OF 1

DRAWN	GLB	DATE
CHECKED		09/25/08
APPROVED		
ENG APPVL		

CAD GENERATED DRAWING;
DO NOT MANUALLY UPDATE

UNLESS OTHERWISE SPECIFIED
DIMENSIONS ARE IN MM. PER
INTERPRET DIM AND TOL PER
ASME Y14.5M - 1994

THIRD ANGLE PROJECTION



FINISH

DOVE PRODUCTS, LLC

TITLE CLUTCH QP31

B2 158mm 24V 5-EYE

QPCL-0167

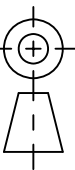
SCALE NONE SHEET 1 OF 1

DRAWN	GLB	DATE
CHECKED		09/25/08
APPROVED		
ENG APPVL		

CAD GENERATED DRAWING;
DO NOT MANUALLY UPDATE

UNLESS OTHERWISE SPECIFIED
DIMENSIONS ARE IN MM. PER
INTERPRET DIM AND TOL PER
ASME Y14.5M - 1994

THIRD ANGLE PROJECTION



FINISH