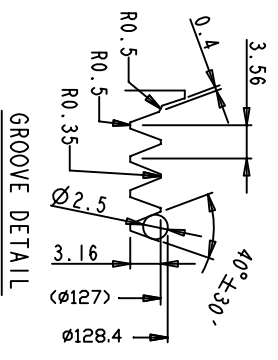
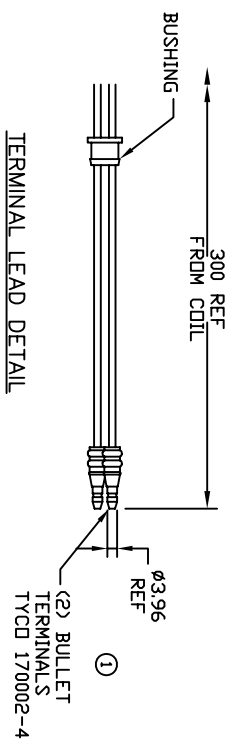
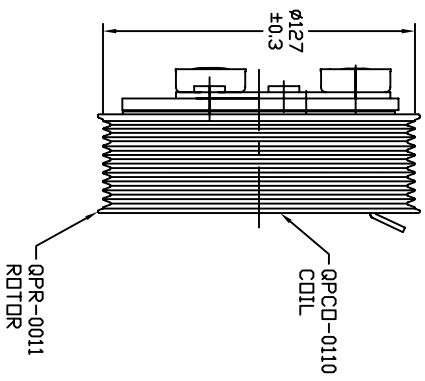
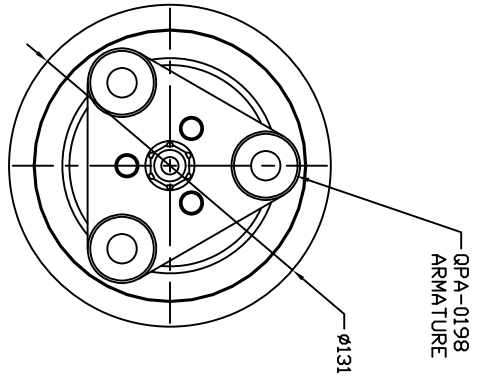


REVISIONS			DATE	APPROVED
CHANGE ORDER	LTR	DESCRIPTION		
Q09033	1	ADDED PART NUTS, Ø3.96 WAS Ø4.57	11/09/09	

- CLUTCH SPECIFICATIONS:
- 1. VOLTAGE..... 12 VDC
 - 2. BELT..... PV10
 - 3. STATIC TORQUE.....
 - INITIAL..... 35 Nm (3.5 Kgfm)
 - AFTER BURNISHING..... 49 Nm (5 Kgfm)
 - 4. MAX POWER CONSUMPTION..... 45W @ 25°C
 - 5. ROTATION DIRECTION..... CW OR CCW
 - 6. WEIGHT..... 2.7 Kg



UNLESS OTHERWISE SPECIFIED DIMENSIONS ARE IN MM. PER INTERPRET DIM AND TOL PER ASME Y14.5M - 1994

THIRD ANGLE PROJECTION	CAD GENERATED DRAWING; DO NOT MANUALLY UPDATE	DATE	TITLE
CHECKED	GLB	07/10/09	CLUTCH QP21
APPROVED			PV10 127mm 12V 3-EYE
FINISH	ENG APPVL		SCALE NONE

QPAE PRODUCTS, LLC

SIZE A CODE IDENT NO DWG NO QPCL-0180 REV 1

SHEET 1 OF 1