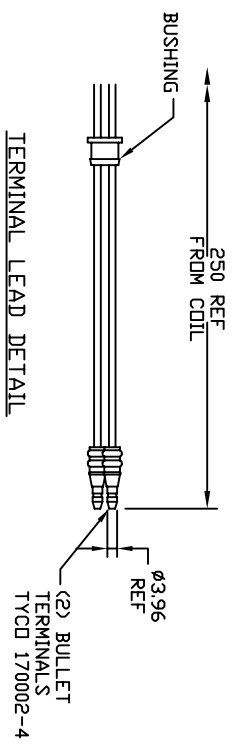
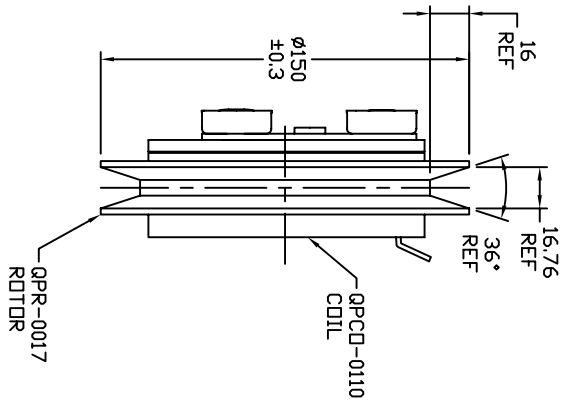
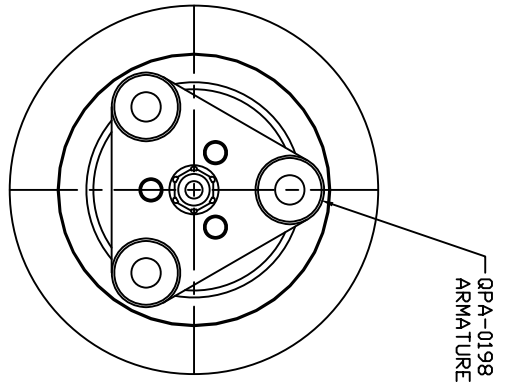


REVISIONS			DATE	APPROVED
CHANGE ORDER	LTR	DESCRIPTION		

- CLUTCH SPECIFICATIONS:
- 1. VOLTAGE..... 12 VDC
 - 2. BELT..... B1
 - 3. STATIC TORQUE..... 35 Nm (3.5 Kgf·m)
 - INITIAL..... 49 Nm (5 Kgf·m)
 - AFTER BURNISHING..... 45W @ 25°C
 - 4. MAX POWER CONSUMPTION..... CW OR CCW
 - 5. ROTATION DIRECTION..... 2.7 Kg
 - 6. WEIGHT.....



UNLESS OTHERWISE SPECIFIED
DIMENSIONS ARE IN MM. PER
INTERPRET DIM AND TOL PER
ASME Y14.5M - 1994

QQUE PRODUCTS, LLC

THIRD ANGLE PROJECTION

TITLE
CLUTCH QP21



SIZE A
CODE IDENT NO DWG NO QPCL-0183
REV

FINISH

SCALE NONE SHEET 1 OF 1

UNLESS OTHERWISE SPECIFIED DIMENSIONS ARE IN MM. PER ASME Y14.5M - 1994	CAD GENERATED DRAWING; DO NOT MANUALLY UPDATE	DATE
DRAWN	GLB	11/19/09
CHECKED		
APPROVED		
ENG APPVL		

