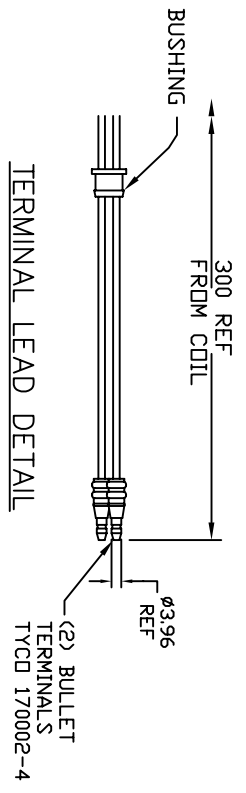
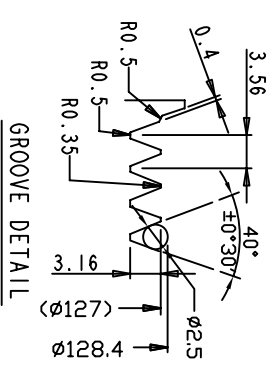
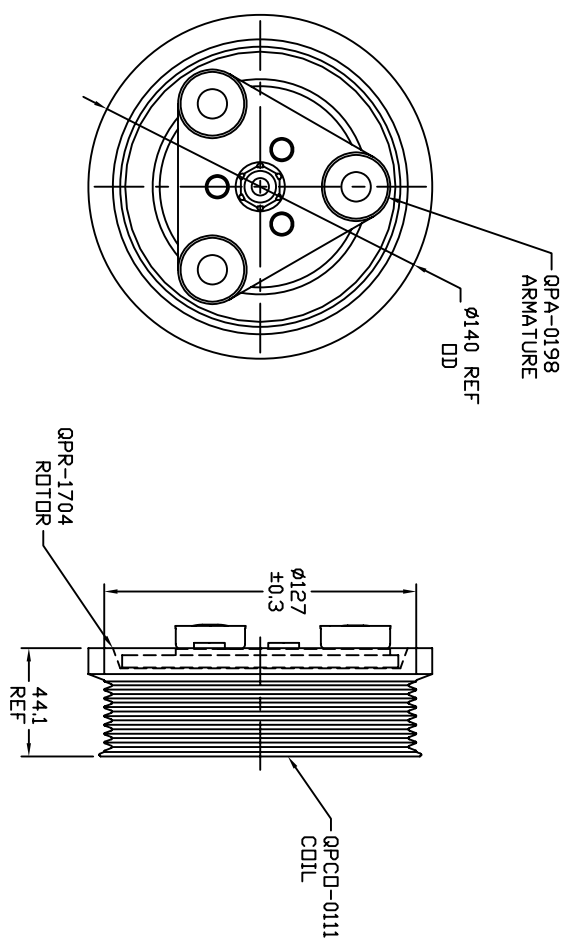


REVISIONS				
CHANGE ORDER	LTR	DESCRIPTION	DATE	APPROVED

- CLUTCH SPECIFICATIONS:
- 1. VOLTAGE..... 24 VDC
  - 2. BELT..... PV8
  - 3. STATIC TORQUE..... 35 Nm (3.5 Kgf·m)
  - INITIAL..... 49 Nm (5 Kgf·m)
  - AFTER BURNISHING..... 45W @ 25°C
  - 4. MAX POWER CONSUMPTION..... CW OR CCW
  - 5. ROTATION DIRECTION.....
  - 6. WEIGHT.....



UNLESS OTHERWISE SPECIFIED DIMENSIONS ARE IN MM. PER INTERPRET DIM AND TOL PER ASME Y14.5M - 1994

THIRD ANGLE PROJECTION	CAD GENERATED DRAWING; DO NOT MANUALLY UPDATE	DATE	10/05/09
CHECKED	GLB	DATE	10/05/09
APPROVED	ENG APPVL	DATE	

**QPAE PRODUCTS, LLC**

TITLE: CLUTCH QP-21  
 PV8 127MM 24V 3-EYE

SCALE: NONE

SHEET 1 OF 1

6 5 4 3 2