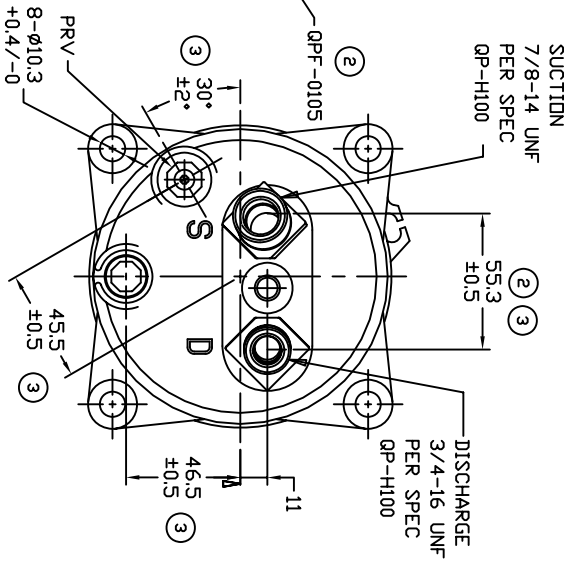
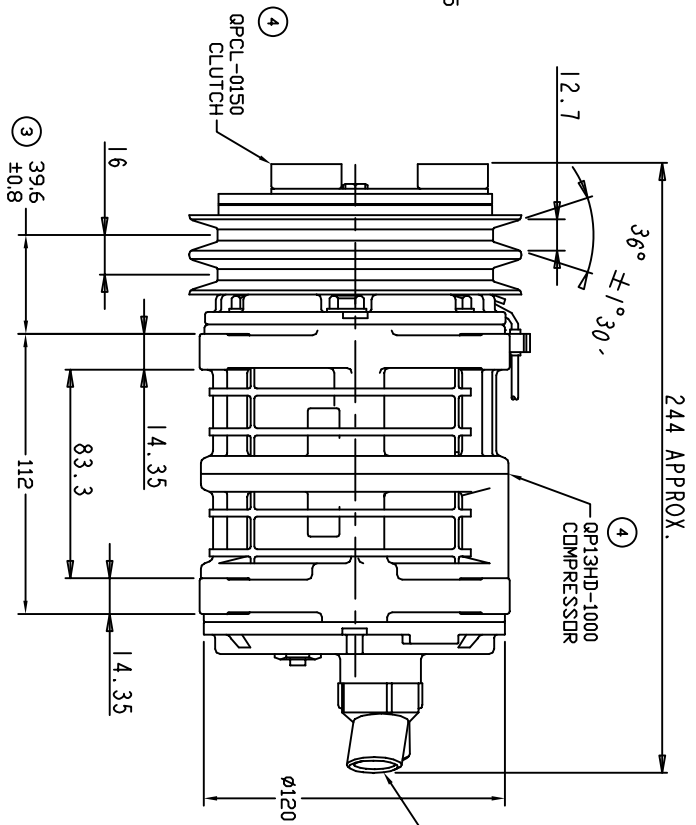
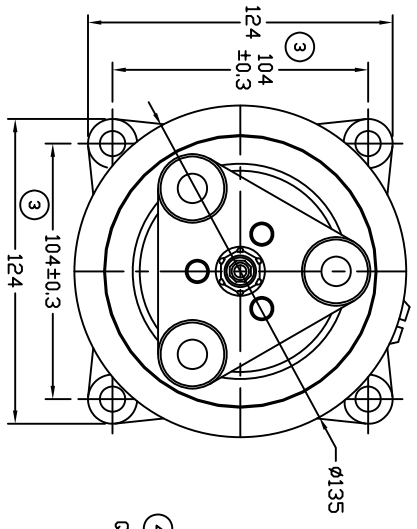


TERMINAL LEAD DETAIL



REVISIONS		DATE	APPROVED
CHANGE ORDER	LTR	DESCRIPTION	
008023	1	PAG 46 was PAG 100	09/30/08
009032	2	ADDED: QPF-0105, 55.3 WAS 58	07/17/09
009035	3	ADDED TOLERANCES 7 PLACES	07/23/09
ENG	4	ADDED PART NO'S	09/14/09

CLUTCH SPECIFICATIONS:

- VOLTAGE..... 24 VDC
- BELT..... A2
- STATIC TORQUE
INITIAL..... 35 Nm (3.5 Kgfm)
AFTER BURNISHING..... 49 Nm (5 Kgfm)
- MAX POWER CONSUMPTION..... 45W @ 25°C
CW OR CCW
- ROTATION DIRECTION..... CW OR CCW
- WEIGHT..... 2.25 Kg

COMPRESSOR SPECIFICATIONS:

- MODEL..... QP-13HD
- NUMBER OF CYLINDERS..... 6
- BORE X STROKE..... 36 X 21.4 mm
- DISPLACEMENT..... 131 cm³/REV
- SPEED RANGE..... 700 - 6000 RPM
- ROTATION DIRECTION..... CW OR CCW
- REFRIGERANT..... R-134a
- LUBRICANT..... PAG 46 150+20 cm³
- WEIGHT..... 4.5 Kg

UNLESS OTHERWISE SPECIFIED
DIMENSIONS ARE IN MM. PER
INTERPRET DIM AND TOL. PER
ASME Y14.5M - 1994



THIRD ANGLE PROJECTION		CAD GENERATED DRAWING, DO NOT MANUALLY UPDATE		TITLE	
FINISH	APPROVED	DATE	DATE	COMPRESSOR ASSEMBLY	QPF-13 HD, H-MANIFOLD
ENG APPVL	CHECKED	06/21/07	06/21/07	A2 135MM 3-EYE 24V	
	APPROVED			SCALE NONE	SHEET 1 OF 1