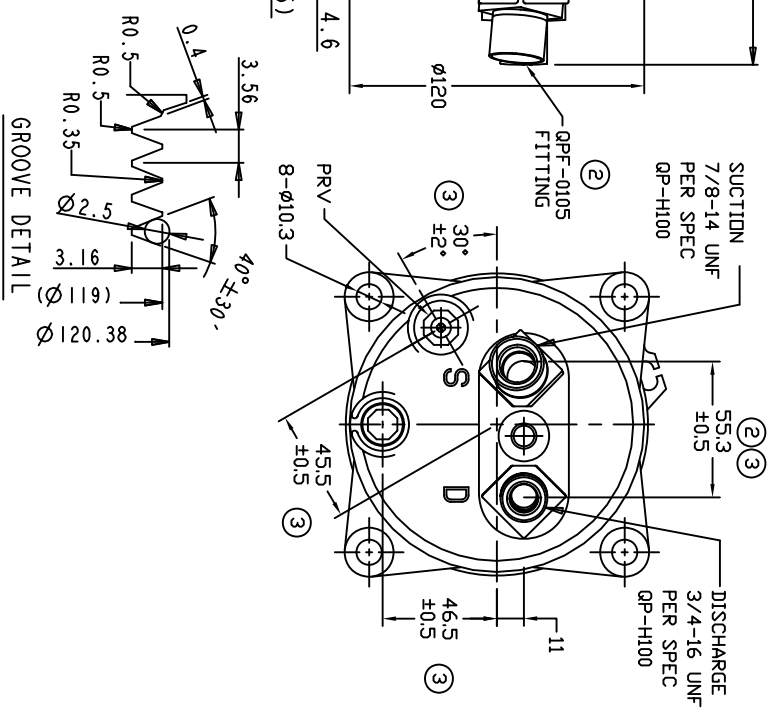
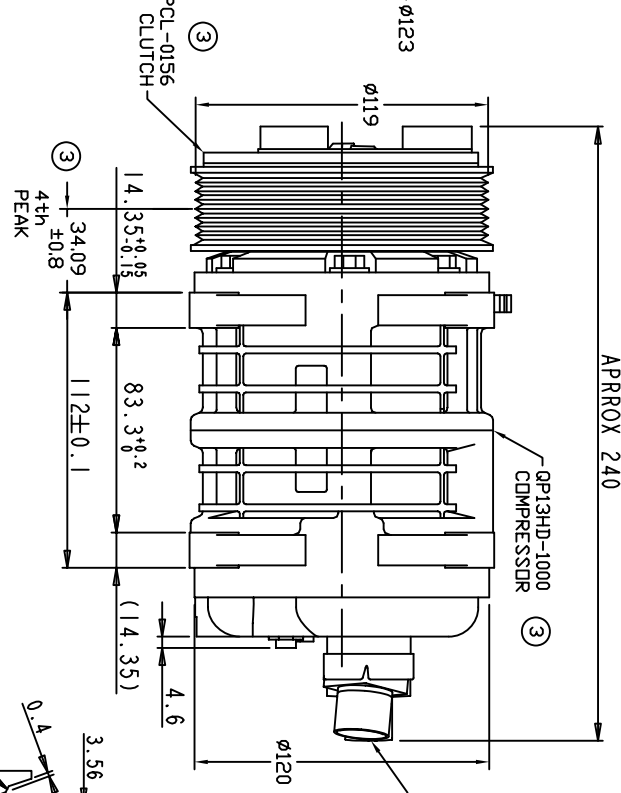
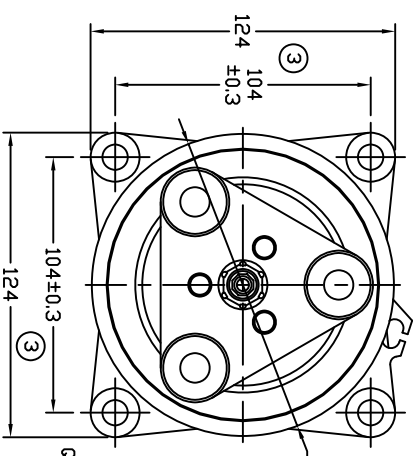


TERMINAL LEAD DETAIL

REVISIONS		DATE	APPROVED
CHANGE ORDER	LTR	DESCRIPTION	
008023	1	PAG 46 was PAG 100	10/01/08
009032	2	55.3 WAS 58, ADDED #QPF-0105	07/20/09
009035	3	ADDED TOLERANCES & PART NDS	09/18/09



CLUTCH SPECIFICATIONS:

- VOLTAGE..... 24 VDC
- BELT..... PV8
- STATIC TORQUE.....
- INITIAL AFTER BURNISHING..... 35 Nm (3.5 Kgfm)
- MAX POWER CONSUMPTION..... 49 Nm (5 Kgfm)
- ROTATION DIRECTION..... 45W @ 25°C
- WEIGHT..... CW OR CCW
- WEIGHT..... 2.30 Kg

COMPRESSOR SPECIFICATIONS:

- MODEL..... QP13HD
- NUMBER OF CYLINDERS..... 6
- BORE X STROKE..... 36 X 21.4 mm
- DISPLACEMENT..... 131 cm³/REV
- SPEED RANGE..... 700 - 6000 RPM
- ROTATION DIRECTION..... CW OR CCW
- REFRIGERANT..... R-134a
- LUBRICANT..... PAG 46 150+20cM3
- WEIGHT..... 4.5 Kg

UNLESS OTHERWISE SPECIFIED DIMENSIONS ARE IN MM. PER INTERPRET DIM AND TOL. PER ASME Y14.5M - 1994



COMPRESSION ASSEMBLY
QP13HD H-3/4 7/8
PV8 119mm 3-EYE 24V

TITLE	SCALE NONE	SHEET 1 OF 1
SIZE	CODE IDENT NO	DWG NO
A		QP13-1460
REV		3

THIRD ANGLE PROJECTION	CHECKED	DATE	07/05/07
FINISH	APPROVED	ENG APPVL	

CAD GENERATED DRAWING, DO NOT MANUALLY UPDATE	DATE	07/05/07
DRAWN	GLB	