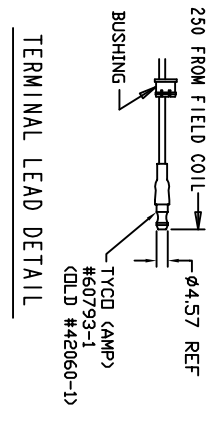
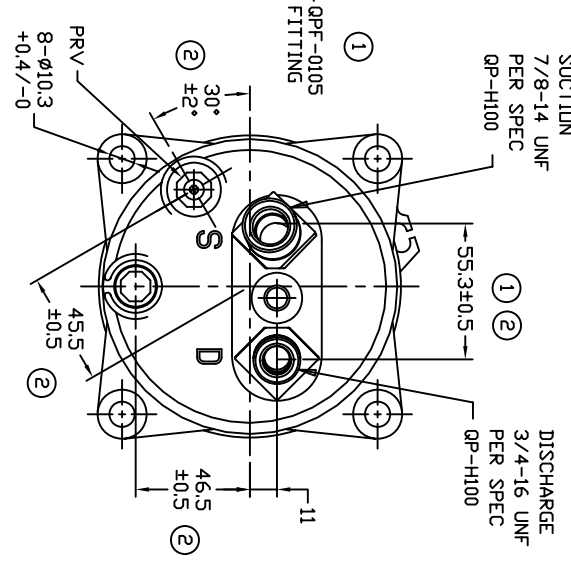
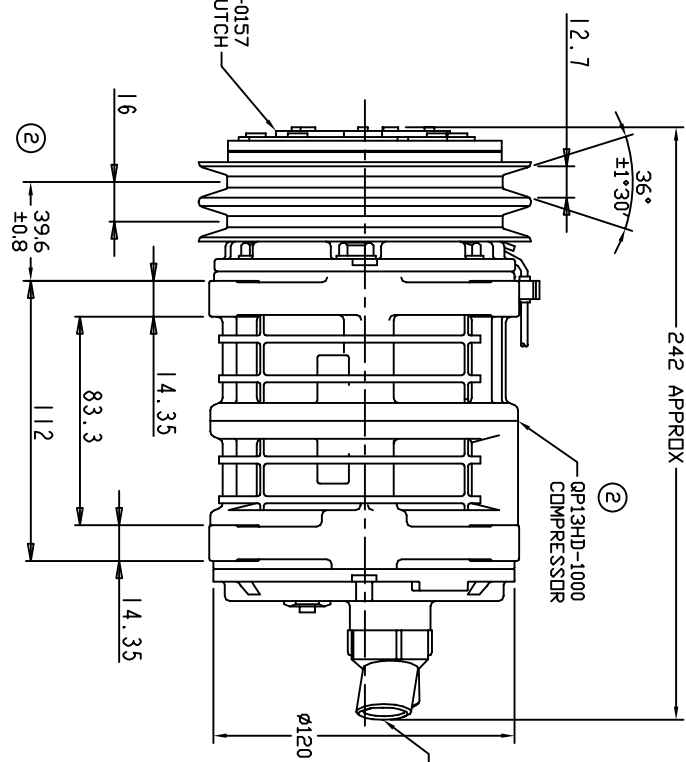
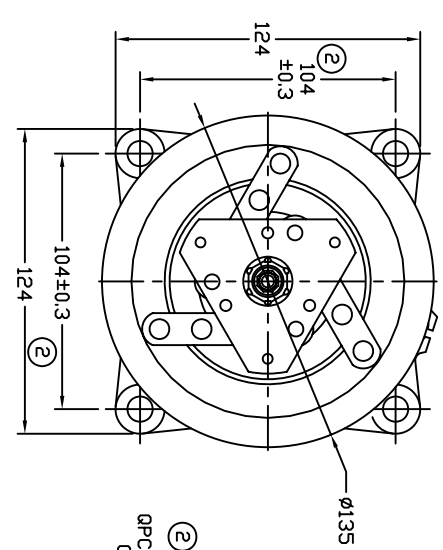


REVISIONS		DATE	APPROVED
CHANGE ORDER	LTR	DESCRIPTION	
009032	1	SS.3 WAS 58, ADDED #QPF-0105	07/20/09
009035	2	ADDED TOLERANCES & PART NDS	09/21/09



TERMINAL LEAD DETAIL



- CLUTCH SPECIFICATIONS:**
- VOLTAGE..... 12 VDC
 - BELT.....A2
 - STATIC TORQUE.....A2

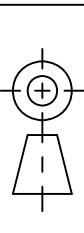
- INITIAL..... 35 Nm (3.5 Kgfm)**
- AFTER BURNISHING..... 49 Nm (5 Kgfm)
 - MAX POWER CONSUMPTION..... 45W @ 25°C
 - ROTATION DIRECTION..... CW OR CCW
 - WEIGHT..... 2.25 Kg

COMPRESSOR SPECIFICATIONS:

- MODEL..... QP13HD
- NUMBER OF CYLINDERS..... 6
- BORE X STROKE..... 36 X 21.4 mm
- DISPLACEMENT..... 131 cm³/REV
- SPEED RANGE..... 700 - 6000 RPM
- ROTATION DIRECTION..... CW OR CCW
- REFRIGERANT..... R-134a
- LUBRICANT..... PAG 46 150+20 cm3
- WEIGHT..... 4.5 Kg

UNLESS OTHERWISE SPECIFIED
DIMENSIONS ARE IN MM. PER
INTERPRET DIM AND TOL. PER
ASME Y14.5M - 1994

THIRD ANGLE PROJECTION



CAD GENERATED DRAWING, DO NOT MANUALLY UPDATE	DATE	TITLE
DRAWN	07/01/09	COMPRESSOR ASSEMBLY
CHECKED		QP13HD H-3/4 7/8
APPROVED		A2 135mm LEAF SPRING 12V
ENG APPVL		QP13-1505



FINISH	SCALE	SHEET	OF
	NONE	1	1