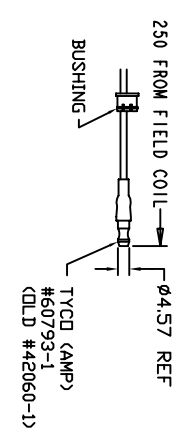
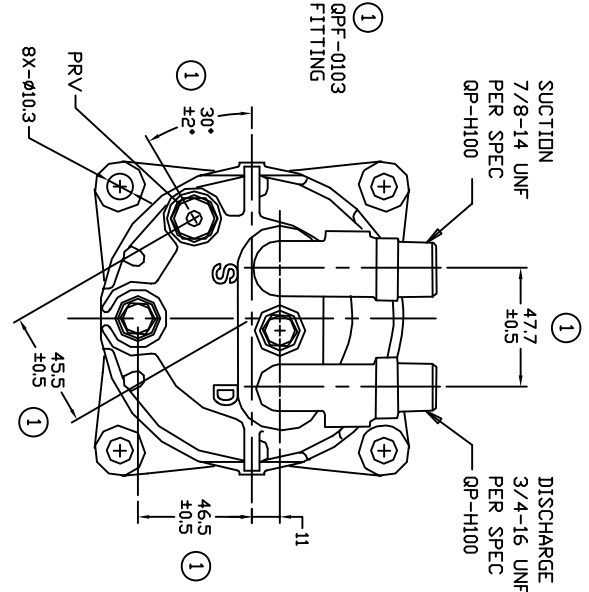
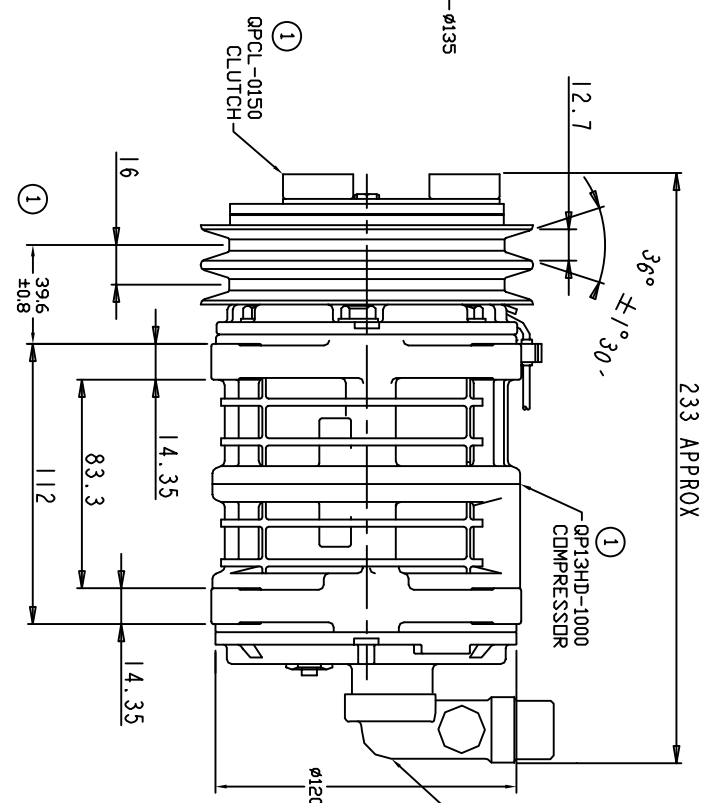
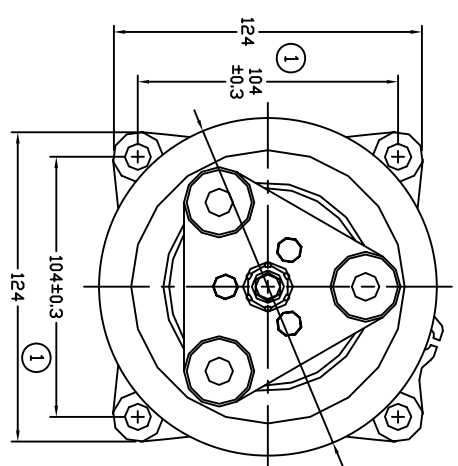


REVISIONS		DATE	APPROVED
CHANGE ORDER	LTR	DESCRIPTION	
009035	1	ADDED TOLERANCES & PART NDS	09/21/09



TERMINAL LEAD DETAIL



CLUTCH SPECIFICATIONS:

- VOLTAGE.....24 VDC
- BELT.....A2
- STATIC TORQUE.....
- INITIAL.....35 Nm (3.5 Kgfm)
- AFTER BURNISHING.....49 Nm (5 Kgfm)
- MAX POWER CONSUMPTION.....45W @ 25°C
- ROTATION DIRECTION.....CW OR CCW
- WEIGHT.....2.25 Kg

COMPRESSOR SPECIFICATIONS:

- MODEL.....QP13HD
- NUMBER OF CYLINDERS.....6
- BORE X STROKE.....36 X 21.4 mm
- DISPLACEMENT.....131 cm³/REV
- SPEED RANGE.....700 - 6000 RPM
- ROTATION DIRECTION.....CW OR CCW
- REFRIGERANT.....R-134a
- LUBRICANT.....PAG 46 150+20 cm3
- WEIGHT.....4.5 Kg

UNLESS OTHERWISE SPECIFIED
DIMENSIONS ARE IN MM. PER
INTERPRET DIM AND TOL. PER
ASME Y14.5M - 1994



CAD GENERATED DRAWING, DO NOT MANUALLY UPDATE	DATE
GLB	03/12/09

TITLE
COMPRESSOR ASSEMBLY
QP13HD V-3/4 7/8
A2 135mm 24V 3 EYE



THIRD ANGLE PROJECTION	CHECKED	APPROVED

FINISH	ENG APPVL

SCALE NONE	SHEET 1 OF 1