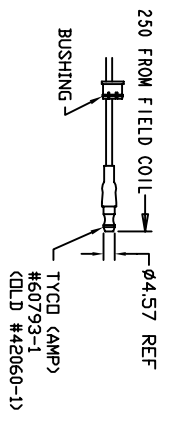
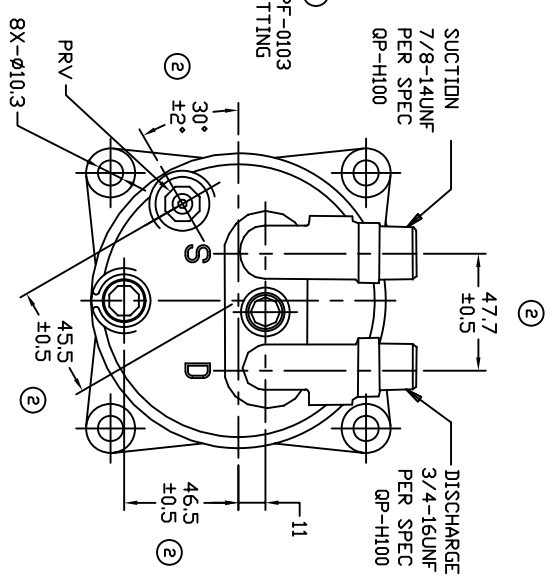
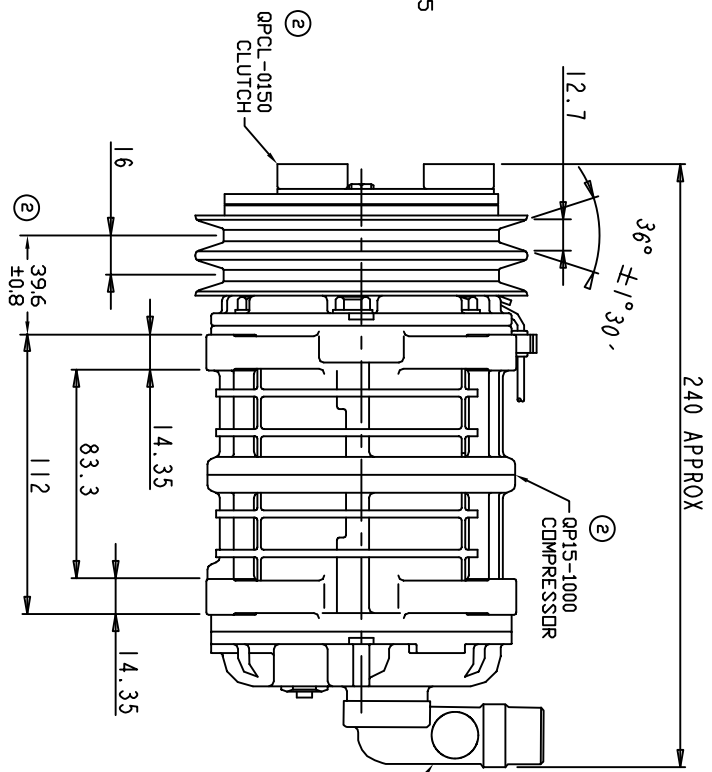
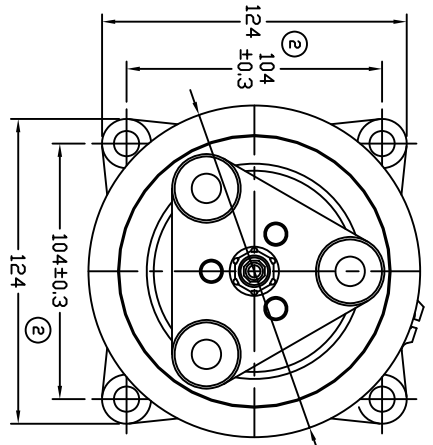


REVISIONS		DATE	APPROVED
CHANGE ORDER	LTR	DESCRIPTION	
008023	1	PAG 46 was PAG 100	08/13/08
009035	2	ADDED TOLERANCES & PART NOS	09/21/09



TERMINAL LEAD DETAIL



CLUTCH SPECIFICATIONS:

- VOLTAGE..... 24 VDC
- BELT..... A2
- STATIC TORQUE..... 35 Nm (3.5 Kgfm)
- INITIAL AFTER BURNISHING..... 49 Nm (5 Kgfm)
- MAX POWER CONSUMPTION..... 45W @ 25°C
- ROTATION DIRECTION..... CW OR CCW
- WEIGHT..... 2.25 Kg

COMPRESSOR SPECIFICATIONS:

- MODEL..... QP15HD
- NUMBER OF CYLINDERS..... 6
- BORE X STROKE..... 36 X 24.0 mm
- DISPLACEMENT..... 146.7 cm³/REV
- SPEED RANGE..... 700 - 6000 RPM
- ROTATION DIRECTION..... CW OR CCW
- REFRIGERANT..... R-134a
- LUBRICANT..... PAG 46 ISO+20 cm3
- WEIGHT..... 4.4 Kg

UNLESS OTHERWISE SPECIFIED DIMENSIONS ARE IN MM. PER INTERPRET DIM AND TOL. PER ASME Y14.5M - 1994

DAVE PRODUCTS, LLC
 COMPRESSOR ASSEMBLY
 QP15HD V-3/4 7/8
 A2 135mm 24V 3-EYE
 QP15-1153

THIRD ANGLE PROJECTION	CAD GENERATED DRAWING, DO NOT MANUALLY UPDATE	TITLE
	GLB	COMPRESSOR ASSEMBLY
CHECKED	DATE	QP15HD V-3/4 7/8
APPROVED	08/08/07	A2 135mm 24V 3-EYE
ENG APPVL		QP15-1153
FINISH		SCALE NONE