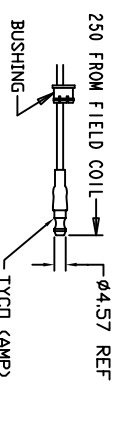
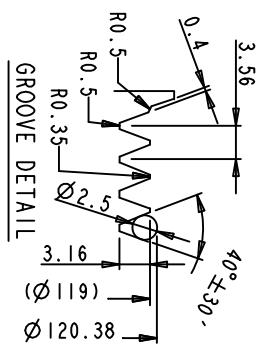
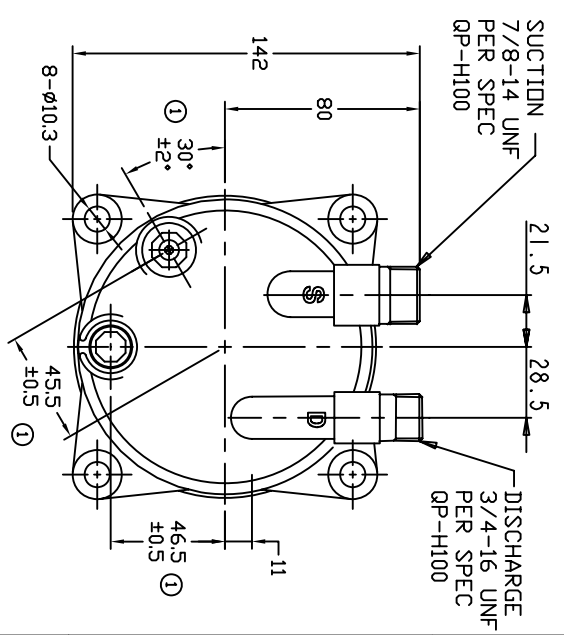
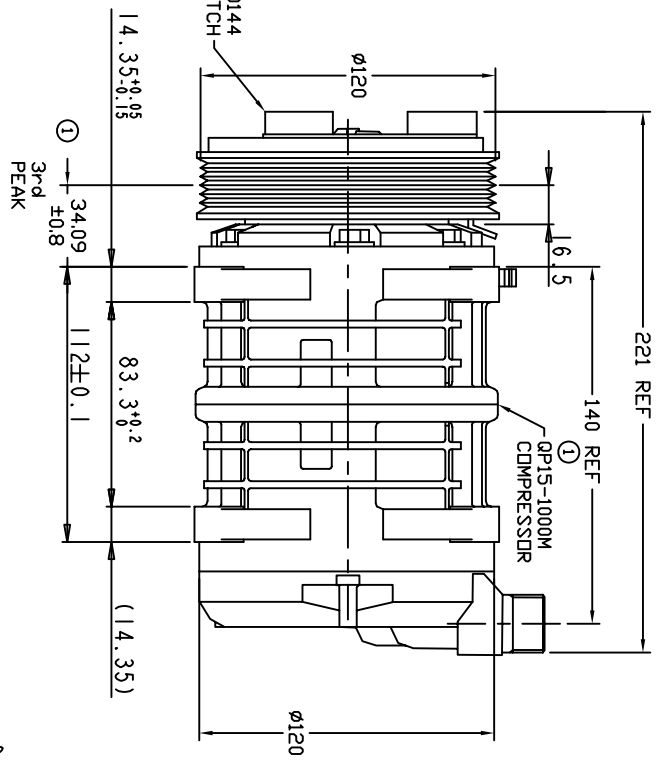
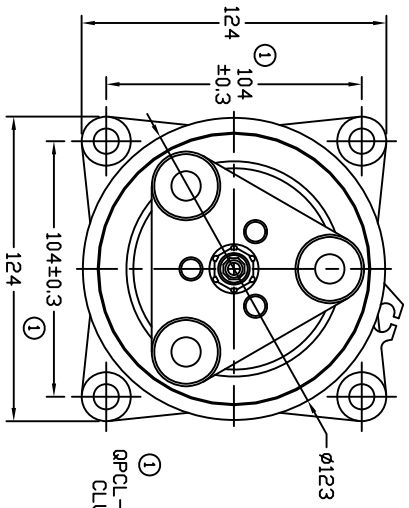


REVISIONS		DATE	APPROVED
1	ADDED TOLERANCES & PART NDS	09/22/09	



TERMINAL LEAD DETAIL

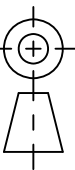


- CLUTCH SPECIFICATIONS:**
- VOLTAGE..... 12 VDC
 - BELT..... PV6
 - STATIC TORQUE.....
 - INITIAL AFTER BURNISHING..... 35 Nm (3.5 Kgfm)
 - MAX POWER CONSUMPTION..... 49 Nm (5 Kgfm)
 - ROTATION DIRECTION..... CW OR CCW
 - WEIGHT..... 2.28 Kg

- COMPRESSOR SPECIFICATIONS:**
- MODEL..... QP-15HD
 - NUMBER OF CYLINDERS..... 6
 - BORE X STROKE..... 36 X 24.0 mm
 - DISPLACEMENT..... 146.7 cm³/REV
 - SPEED RANGE..... 700 - 6000 RPM
 - ROTATION DIRECTION..... CW OR CCW
 - REFRIGERANT..... R-134g
 - LUBRICANT..... PAG 46 150+20 cm³
 - WEIGHT..... 4.4 Kg

UNLESS OTHERWISE SPECIFIED DIMENSIONS ARE IN MM PER INTERPRET DIM AND TOL PER ASME Y14.5M - 1994

THIRD ANGLE PROJECTION



DO NOT MANUALLY UPDATE

DATE	DESCRIPTION
07/06/09	GLB



TITLE: COMPRESSOR ASSEMBLY
QP-15HD, MONOLITHIC HEAD
PV6 120MM 3-EYE 12V

SCALE: NONE

SIZE	CODE	IDENT NO	DWG NO	REV
A			QP15-1158	1

CHANGE ORDER	LTR	DESCRIPTION
009035	1	ADDED TOLERANCES & PART NDS

FINISH

FINISH	APPROVED	ENG APPVL