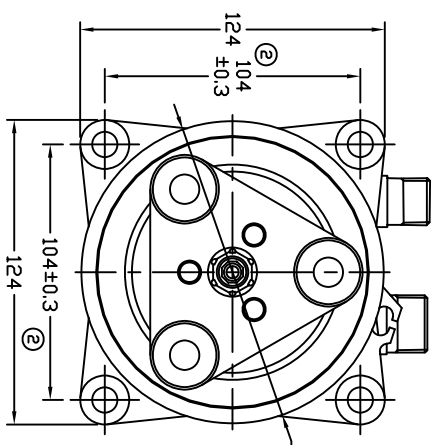


TERMINAL LEAD DETAIL

REVISIONS		DATE	APPROVED
CHANGE ORDER	LTR	DESCRIPTION	
Q08023	1	PAG 46 WAS PAG 100	10/01/08
Q09035	2	ADDED TOLERANCES & PART NDS	09/23/09

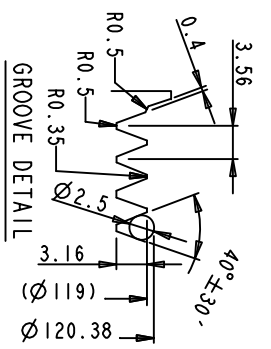
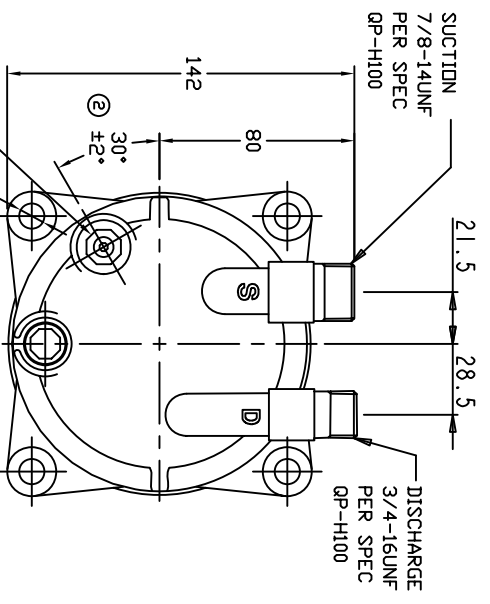
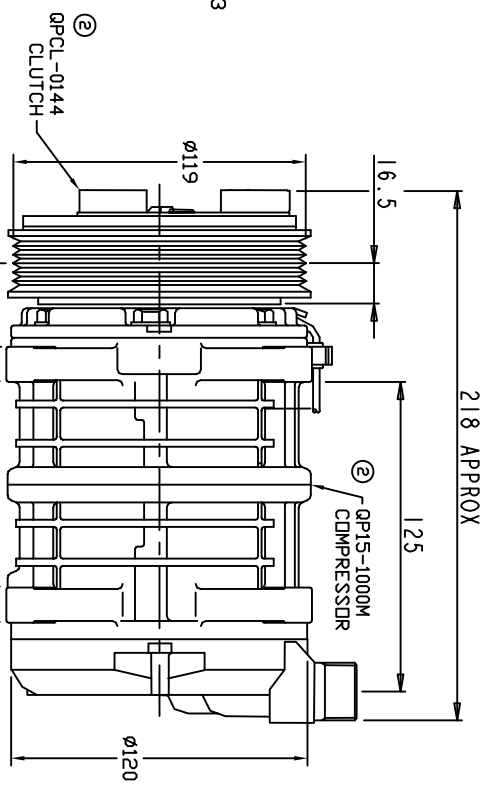


CLUTCH SPECIFICATIONS:

- VOLTAGE..... 12 VDC
- BELT..... PV6
- STATIC TORQUE..... 35 Nm (3.5 Kgfm)
- INITIAL AFTER BURNISHING..... 49 Nm (5 Kgfm)
- MAX POWER CONSUMPTION..... 45W @ 25°C
- ROTATION DIRECTION..... CW OR CCW
- WEIGHT..... 2.28 Kg

COMPRESSOR SPECIFICATIONS:

- MODEL..... QP15HD
- NUMBER OF CYLINDERS..... 6
- BORE X STROKE..... 36 X 24.0 mm
- DISPLACEMENT..... 146.7 cm³/REV
- SPEED RANGE..... 700 - 6000 RPM
- ROTATION DIRECTION..... CW OR CCW
- REFRIGERANT..... R-134a
- LUBRICANT..... PAG 46 150+20cm³
- WEIGHT..... 4.6 Kg



UNLESS OTHERWISE SPECIFIED DIMENSIONS ARE IN MM PER ASME Y14.5M - 1994

CAD GENERATED DRAWING; DO NOT MANUALLY UPDATE

DOVE PRODUCTS, LLC

TITLE: COMPRESSOR ASSEMBLY
QP15HD V-3/4 7/8 MOND HEAD
PV6 119mm 12V 3-EYE

THIRD ANGLE PROJECTION	CHECKED	GLB	DATE	11/08/07
FINISH	APPROVED	ENG APPVL		
SCALE NONE	SHEET 1	OF 1		