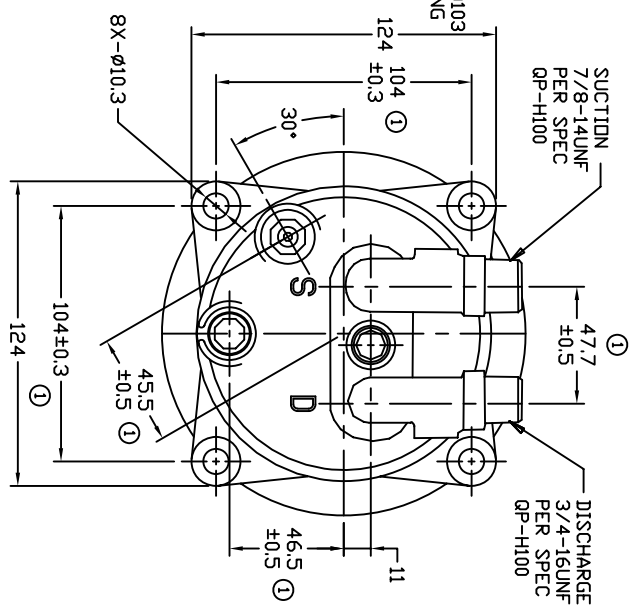
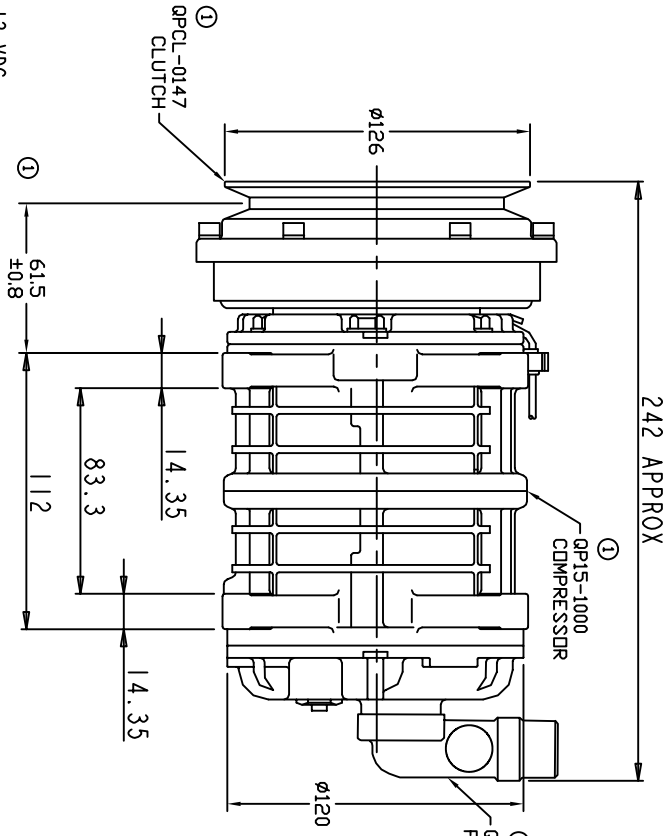
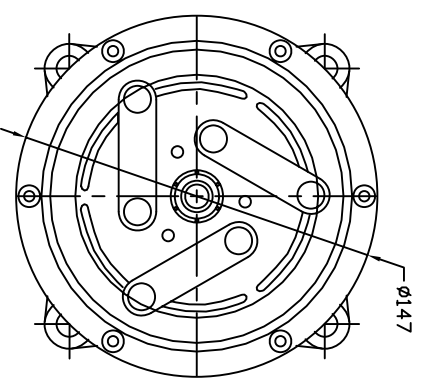
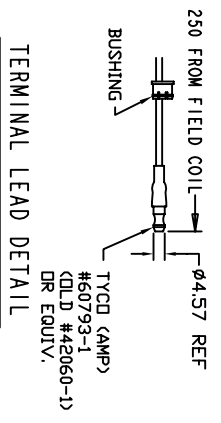


REVISIONS		DATE	APPROVED
1	ADDED TOLERANCES & PART NOS	09/25/09	



ØPCL-0147 CLUTCH
 ØP15-1000 COMPRESSOR
 ØPF-0103 FITTING

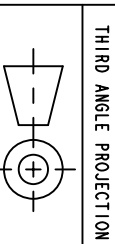
- CLUTCH SPECIFICATIONS:**
- VOLTAGE..... 12 VDC
 - BELT..... A1
 - STATIC TORQUE..... 35 Nm (3.5 Kgfm)
 - INITIAL AFTER BURNISHING..... 49 Nm (5 Kgfm)
 - MAX POWER CONSUMPTION..... 45W @ 25°C
 - ROTATION DIRECTION..... CW OR CCW
 - WEIGHT..... 2.3 Kg

- COMPRESSOR SPECIFICATIONS:**
- MODEL..... QP-15HD
 - NUMBER OF CYLINDERS..... 6
 - BORE X STROKE..... 36 X 24.0 mm
 - DISPLACEMENT..... 146.7 cm³/REV
 - SPEED RANGE..... 700 - 6000 RPM
 - ROTATION DIRECTION..... CW OR CCW
 - REFRIGERANT..... R-134a
 - LUBRICANT..... PAG 46 150+20 cm³
 - WEIGHT..... 4.4 Kg

UNLESS OTHERWISE SPECIFIED DIMENSIONS ARE IN MM PER INTERPRET DIM AND TOL PER ASME Y14.5M - 1994

DAVE PRODUCTS, LLC

COMPRESSION ASSEMBLY
 QP-15 HD, V-MANIFOLD
 A1 126MM OVER-HANG 12V



THIRD ANGLE PROJECTION	CHECKED	DATE
	APPROVED	06/26/08

TITLE	SCALE	SHEET	OF
COMPRESSION ASSEMBLY	A	1	1

FINISH	ENG APPVL

DO NOT MANUALLY UPDATE	DATE
	06/26/08

SCALE NONE	SHEET	OF
	1	1