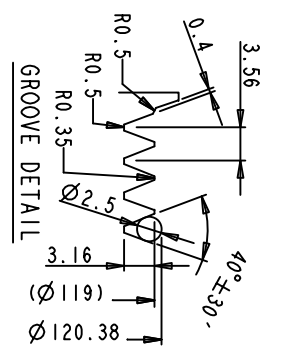
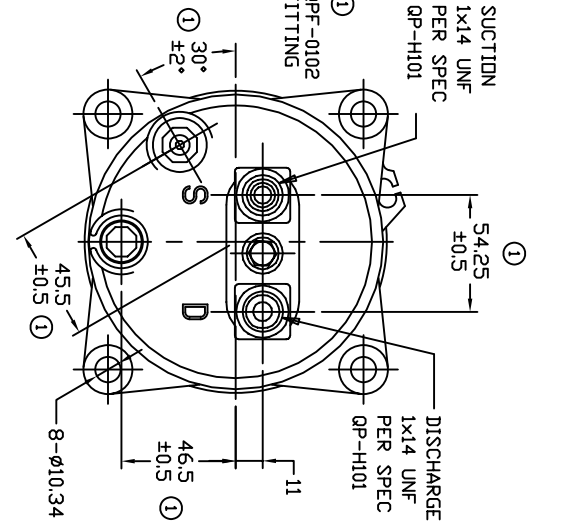
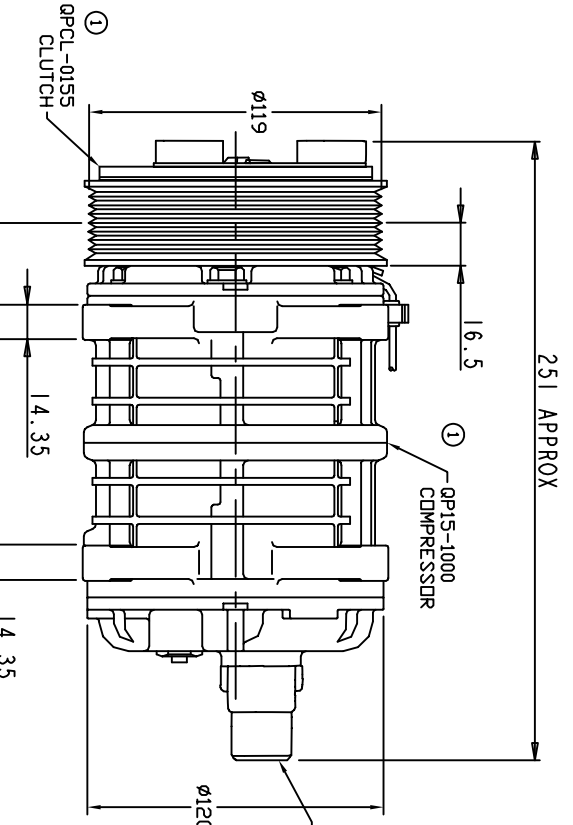
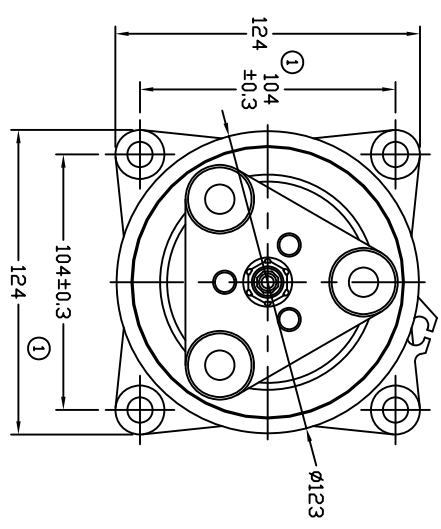


250 FROM FIELD COIL



REVISIONS		DATE	APPROVED
CHANGE ORDER	LTR	DESCRIPTION	
008023	1	PAG 46 was PAG 100	10/01/08
009035	2	ADDED TOLERANCES & PART NDS	10/06/09

**CLUTCH SPECIFICATIONS:**

- VOLTAGE.....12 VDC
- BELT.....PV8
- STATIC TORQUE.....
- INITIAL.....35 Nm (3.5 Kgfm)
- AFTER BURNISHING.....49 Nm (5 Kgfm)
- MAX POWER CONSUMPTION.....45W @ 25°C
- ROTATION DIRECTION.....CW OR CCW
- WEIGHT.....2.3 Kg

**COMPRESSOR SPECIFICATIONS:**

- MODEL.....QP-15HD
- NUMBER OF CYLINDERS.....6
- BORE X STROKE.....36 X 24.0 mm
- DISPLACEMENT.....146.7 cm<sup>3</sup>/REV
- SPEED RANGE.....700 - 6000 RPM
- ROTATION DIRECTION.....CW OR CCW
- REFRIGERANT.....R-134a
- LUBRICANT.....PAG 46 150+20cm<sup>3</sup>
- WEIGHT.....4.4 Kg

UNLESS OTHERWISE SPECIFIED  
DIMENSIONS ARE IN MM. PER  
ASME Y14.5M - 1994



THIRD ANGLE PROJECTION	CAD GENERATED DRAWING, DO NOT MANUALLY UPDATE	TITLE
CHECKED	DATE	COMPRESSOR ASSEMBLY
APPROVED	09/08/07	QP-15HD, H-MANIFOLD
ENG APPVL		PV8 119MM 12V 3-EYE
FINISH		SCALE NONE
		SHEET 1 OF 1