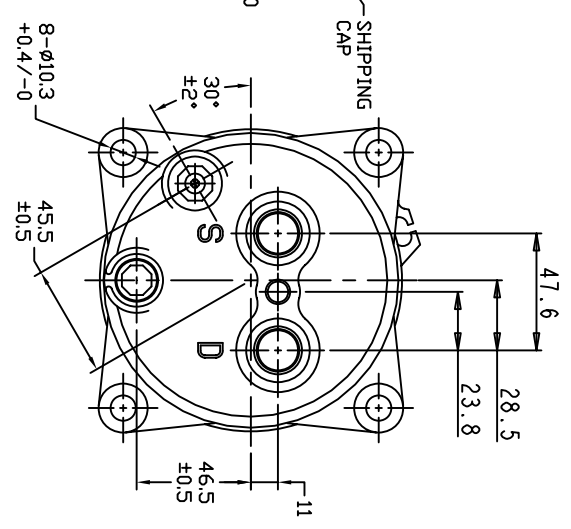
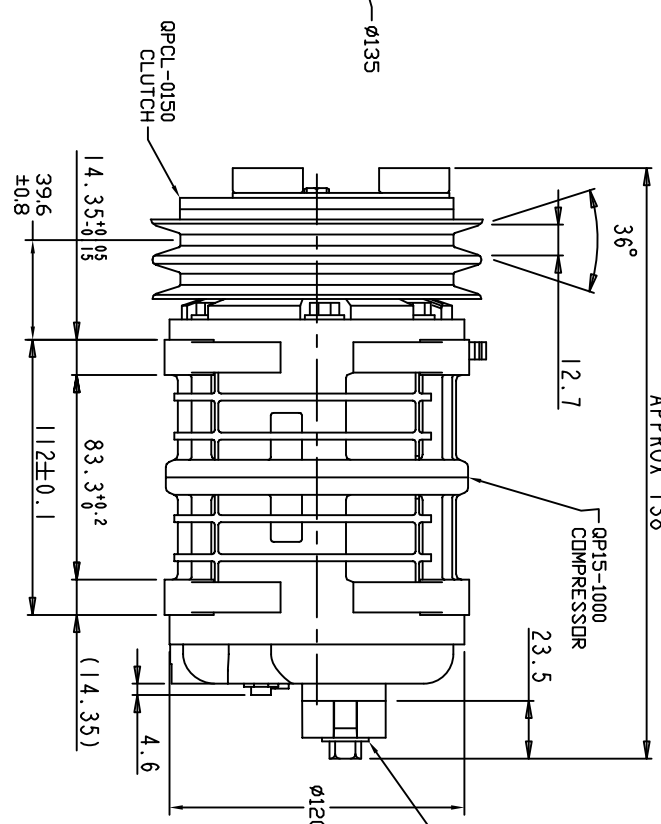
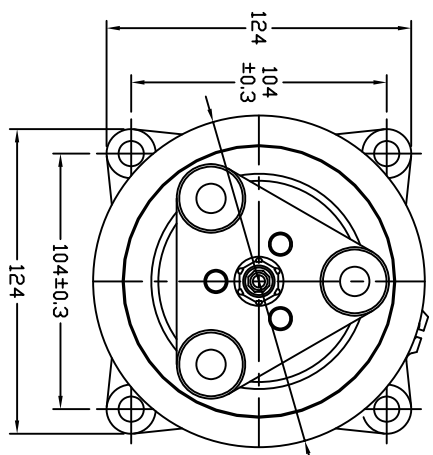


TERMINAL LEAD DETAIL

CHANGE ORDER		LTR		DESCRIPTION		DATE		APPROVED	

APPROX 138



CLUTCH SPECIFICATIONS:

1. VOLTAGE..... 24 VDC
2. BELT..... A2
3. STATIC TORQUE..... 35 Nm (3.5 Kgfm)
4. AFTER BURNISHING..... 49 Nm (5 Kgfm)
5. MAX POWER CONSUMPTION..... 45W @ 25°C
6. ROTATION DIRECTION..... CW OR CCW
7. WEIGHT..... 2.25 Kg

COMPRESSOR SPECIFICATIONS:

1. MODEL..... QP-15
2. NUMBER OF CYLINDERS..... 6
3. BORE X STROKE..... 36 X 24.0 mm
4. DISPLACEMENT..... 146.7 cm³/REV
5. SPEED RANGE..... 700 - 6000 RPM
6. ROTATION DIRECTION..... CW OR CCW
7. REFRIGERANT..... R134a
8. LUBRICANT..... PAG 46 150 +20 cm³
9. WEIGHT..... 4.4 Kg

UNLESS OTHERWISE SPECIFIED
 DIMENSIONS ARE IN MM. PER
 INTERPRET DIM AND TOL. PER
 ASME Y14.5M - 1994

DO NOT MANUALLY UPDATE

THIRD ANGLE PROJECTION	CHECKED	GL B	DATE
08/31/09	APPROVED		

FINISH

CAD GENERATED DRAWING; DO NOT MANUALLY UPDATE		DRAWN		DATE	
GL B		08/31/09			
CHECKED		APPROVED			
ENG APPVL					

TITLE: COMPRESSOR QP-15

SIZE: A2 135MM 24V 3-EYE

SCALE: NONE

SHEET 1 OF 1

DOLU PRODUCTS, LLC