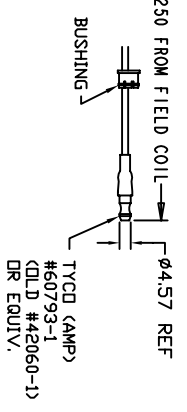
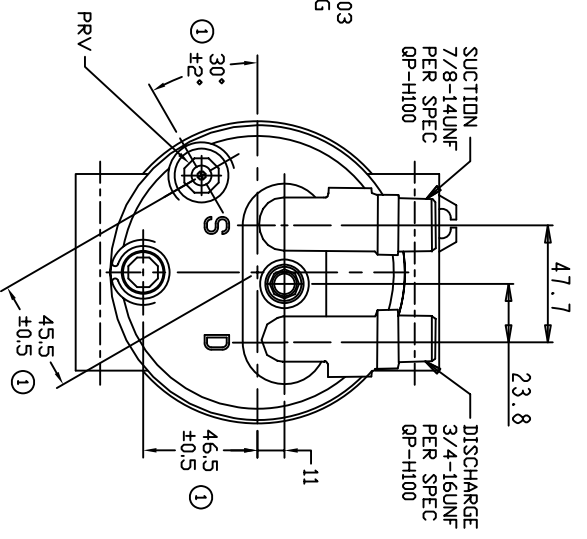
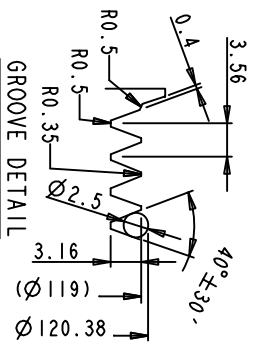
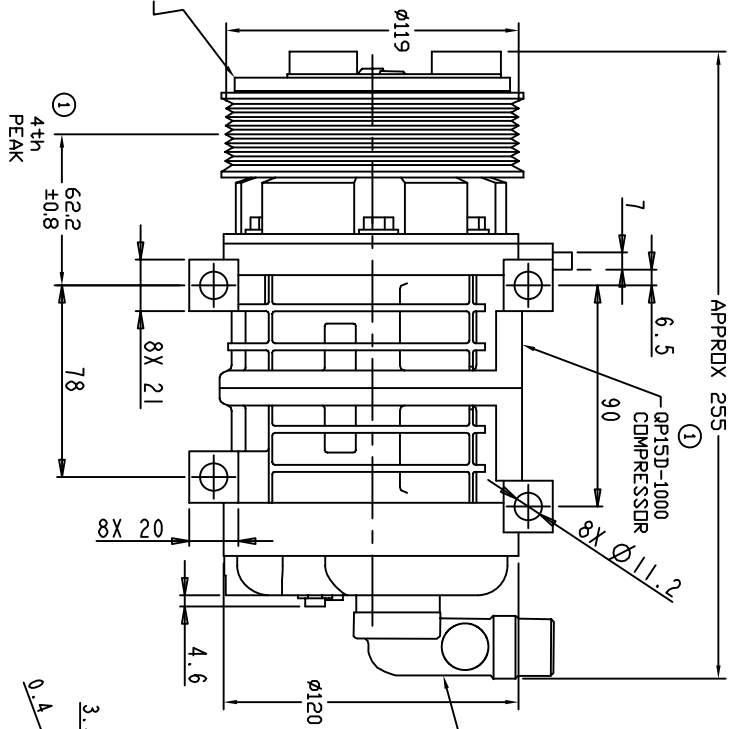
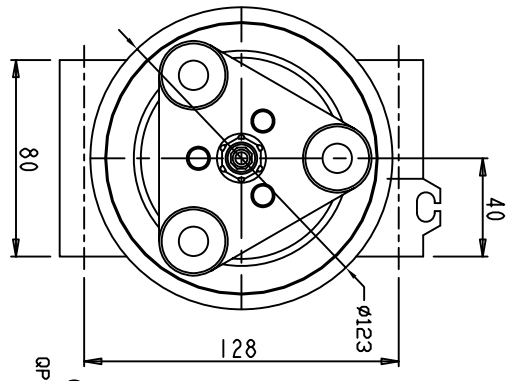


REVISIONS		DATE	APPROVED
CHANGE ORDER	LTR	DESCRIPTION	
009035	1	ADDED TOLERANCES & PART NOS	10/26/09



TERMINAL LEAD DETAIL



CLUTCH SPECIFICATIONS:

- VOLTAGE.....12 VDC
- BELT.....PV8
- STATIC TORQUE.....
- INITIAL.....
- AFTER BURNISHING.....35 Nm (3.5 Kgfm)
- MAX POWER CONSUMPTION.....49 Nm (5 Kgfm)
- ROTATION DIRECTION.....45W @ 25°C
- WEIGHT.....2.28 Kg

COMPRESSOR SPECIFICATIONS:

- MODEL.....QP1SHD
- NUMBER OF CYLINDERS.....6
- BORE X STROKE.....36 X 24.0 mm
- DISPLACEMENT.....146.7 cm³/REV
- SPEED RANGE.....700 - 6000 RPM
- ROTATION DIRECTION.....CW OR CCW
- REFRIGERANT.....R-134a
- LUBRICANT.....PAG 46 180+20 cm³
- WEIGHT.....4.7 Kg

UNLESS OTHERWISE SPECIFIED
 DIMENSIONS ARE IN MM PER
 INTERPRET DIM AND TOL PER
 ASME Y14.5M - 1994

DOE PRODUCTS, LLC

COMPRESSION ASSEMBLY
 QP1SHD V-3/4 7/8
 PV8 119mm 12V 3 EYE

CAD GENERATED DRAWING,
 DO NOT MANUALLY UPDATE

TITLE

THIRD ANGLE PROJECTION

SCALE NONE



SIZE A

FINISH

SHEET 1 OF 1