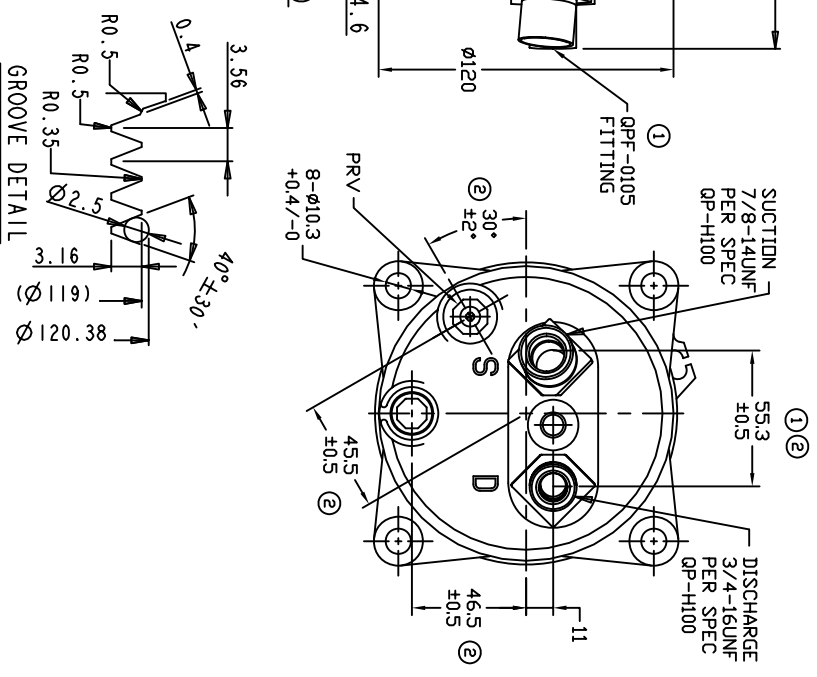
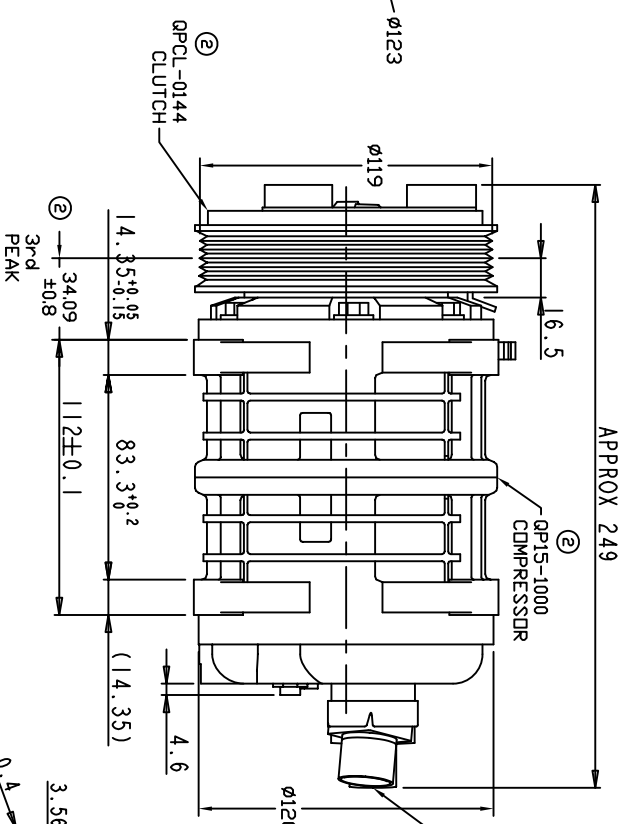
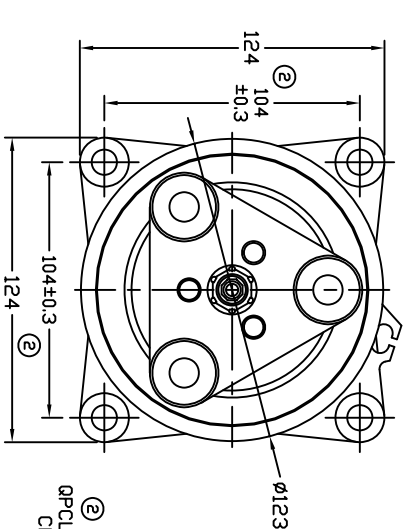
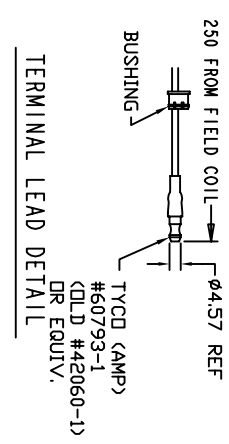


REVISIONS		DATE	APPROVED
CHANGE ORDER	LTR	DESCRIPTION	
009032	1	55.3 WAS 58, ADDED #QPF-0105	07/22/09
009035	2	ADDED TOLERANCES & PART NOS	10/27/09



**CLUTCH SPECIFICATIONS:**

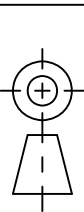
- VOLTAGE..... 12 VDC
- BELT..... PV6
- STATIC TORQUE.....
- INITIAL AFTER BURNISHING..... 35 Nm (3.5 Kgfm)
- MAX POWER CONSUMPTION..... 49 Nm (5 Kgfm)
- ROTATION DIRECTION..... CW OR CCW
- WEIGHT..... 2.28 Kg

**COMPRESSOR SPECIFICATIONS:**

- MODEL..... QP15HD
- NUMBER OF CYLINDERS..... 6
- BORE X STROKE..... 36 X 24.0 mm
- DISPLACEMENT..... 146.7 cm<sup>3</sup>/REV
- SPEED RANGE..... 700 - 6000 RPM
- ROTATION DIRECTION..... CW OR CCW
- REFRIGERANT..... R-134g
- LUBRICANT..... PAG 46 150+20 cm<sup>3</sup>
- WEIGHT..... 4.4 Kg

UNLESS OTHERWISE SPECIFIED  
 DIMENSIONS ARE IN MM. PER  
 INTERPRET DIM AND TOL. PER  
 ASME Y14.5M - 1994

THIRD ANGLE PROJECTION



CAD GENERATED DRAWING;  
 DO NOT MANUALLY UPDATE

TITLE  
 COMPRESSOR ASSEMBLY

DATE  
 06/27/08

SCALE NONE



DRAWN  
 GILB

CHECKED  
 APPROVED

ENG APPVL

DATE  
 07/22/09

DATE  
 10/27/09

SCALE NONE

REV  
 2

REV  
 2

SHEET 1 OF 1

REV  
 2

REV  
 2

SHEET 1 OF 1