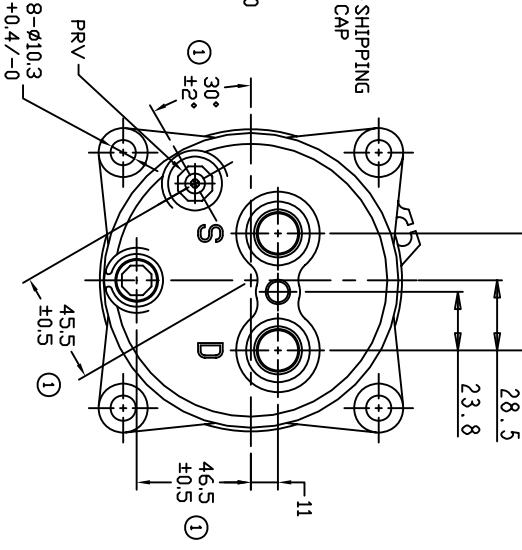
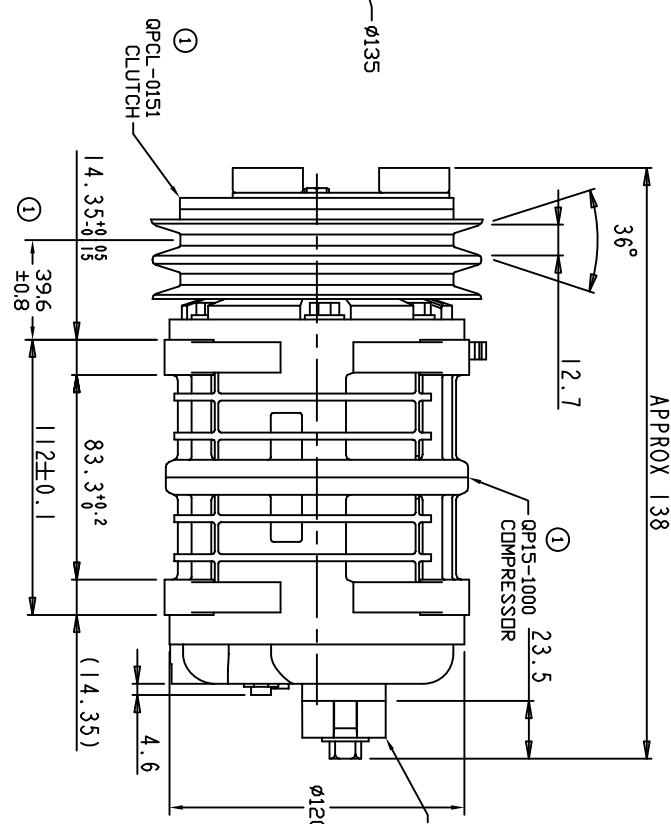
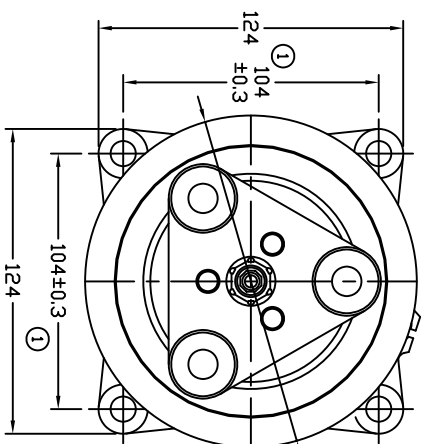


TERMINAL LEAD DETAIL

REVISIONS			DATE	APPROVED
CHANGE ORDER	LTR	DESCRIPTION		
009035	1	ADDED TOLERANCES & PART NOS	10/14/09	



CLUTCH SPECIFICATIONS:

- VOLTAGE.....12 VDC
- BELT.....A2
- STATIC TORQUE.....35 Nm (3.5 Kgfm)
- AFTER BURNISHING.....49 Nm (5 Kgfm)
- MAX POWER CONSUMPTION.....45W @ 25°C
- ROTATION DIRECTION.....CW OR CCW
- WEIGHT.....2.25 Kg

COMPRESSOR SPECIFICATIONS:

- MODEL.....QP-15HD
- NUMBER OF CYLINDERS.....6
- BORE X STROKE.....36 X 24.0 mm
- DISPLACEMENT.....146.7 cm³/REV
- SPEED RANGE.....700 - 6000 RPM
- ROTATION DIRECTION.....CW OR CCW
- REFRIGERANT.....R-134a
- LUBRICANT.....PAG 46 150+20 cm³
- WEIGHT.....4.4 Kg

UNLESS OTHERWISE SPECIFIED
DIMENSIONS ARE IN MM. PER
ASME Y14.5M - 1994



CAD GENERATED DRAWING,
DO NOT MANUALLY UPDATE

TITLE
COMPRESSOR ASSEMBLY
QP-15HD

THIRD ANGLE PROJECTION	CHECKED	DATE
	APPROVED	

SIZE	CODE IDENT NO	DWG NO	REV
A	A2	135MM 12V 3-EYE	1

FINISH	ENG APPVL
--------	-----------

SCALE: NONE	SHEET 1 OF 1
-------------	--------------