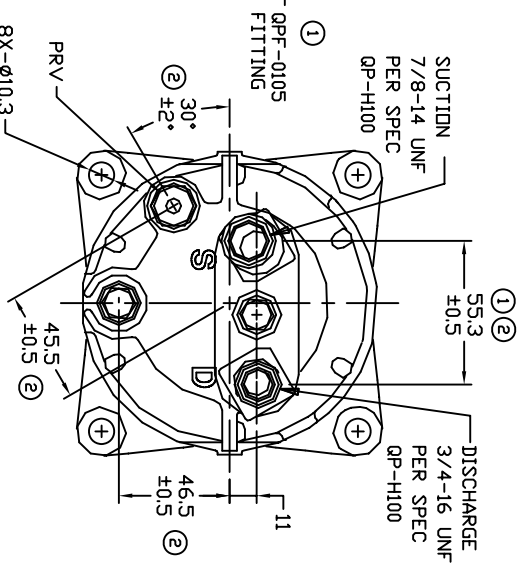
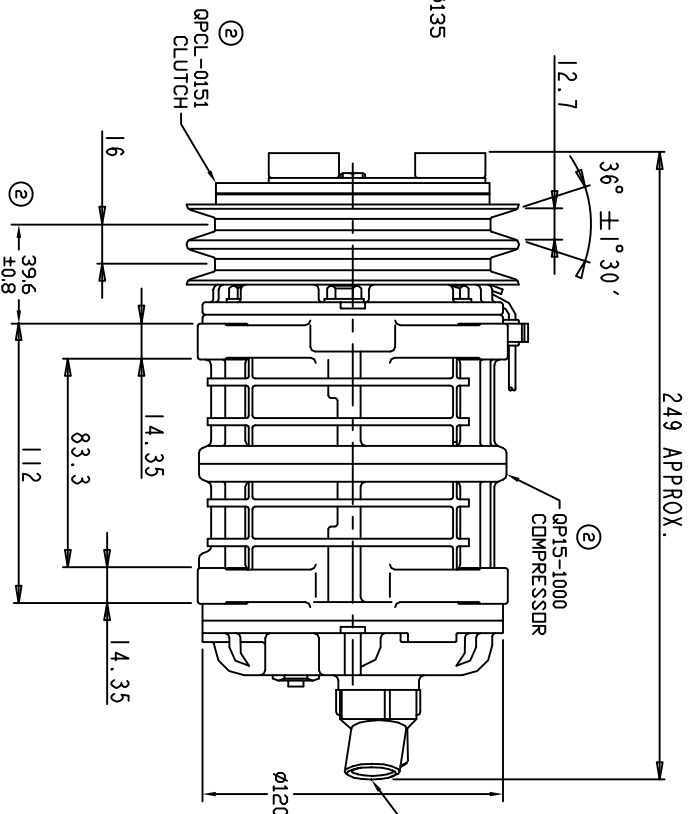
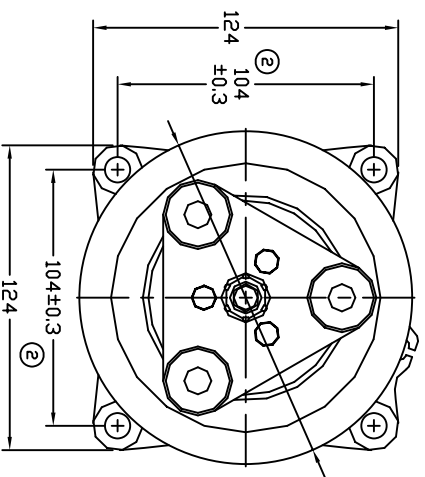


TERMINAL LEAD DETAIL

REVISIONS		DATE	APPROVED
CHANGE ORDER	LTR	DESCRIPTION	
009032	1	55.3 WAS 58, ADDED #QPF-0105	07/22/09
009035	2	ADDED TOLERANCES & PART NOS	10/28/09



CLUTCH SPECIFICATIONS:

- VOLTAGE..... 12 VDC
- BELT..... A2
- STATIC TORQUE..... 35 Nm (3.5 Kgfm)
- INITIAL AFTER BURNISHING..... 49 Nm (5 Kgfm)
- MAX POWER CONSUMPTION..... 45W @ 25°C
- ROTATION DIRECTION..... CW OR CCW
- WEIGHT..... 2.25 Kg

COMPRESSOR SPECIFICATIONS:

- MODEL..... QP15HD
- NUMBER OF CYLINDERS..... 6
- BORE X STROKE..... 36 X 24.0 mm
- DISPLACEMENT..... 146.7 cm³/REV
- SPEED RANGE..... 700 - 6000 RPM
- ROTATION DIRECTION..... CW OR CCW
- REFRIGERANT..... R-134a
- LUBRICANT..... PAG 46 150+20cm3
- WEIGHT..... 4.4 Kg

UNLESS OTHERWISE SPECIFIED
 DIMENSIONS ARE IN MM PER
 INTERPRET DIM AND TOL PER
 ASME Y14.5M - 1994



CAD GENERATED DRAWING; DO NOT MANUALLY UPDATE		TITLE	
THIRD ANGLE PROJECTION	DRAWN	GLB	DATE
CHECKED	07/05/07	COMPRESSOR ASSEMBLY	
APPROVED		QP15 HD, H-MANIFOLD	
ENG APPVL		A2 135mm 12V 3-EYE	
FINISH		SCALE NONE	
		SIZE A	CODE IDENT NO DWG NO
			QP15-1479
			REV 2
			SHEET 1 OF 1