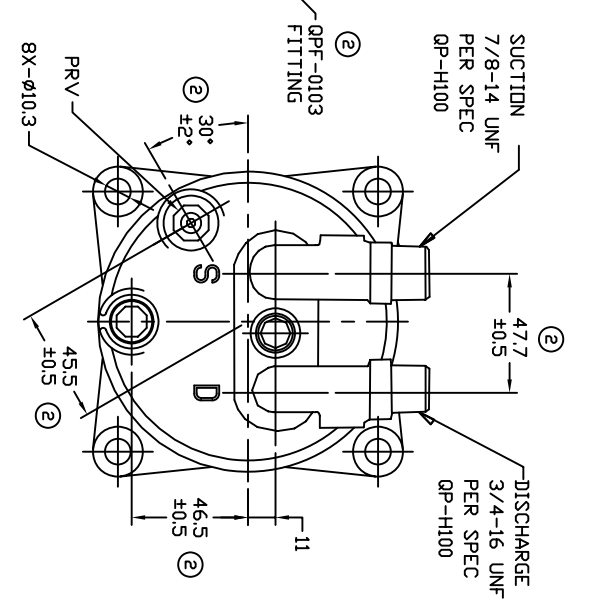
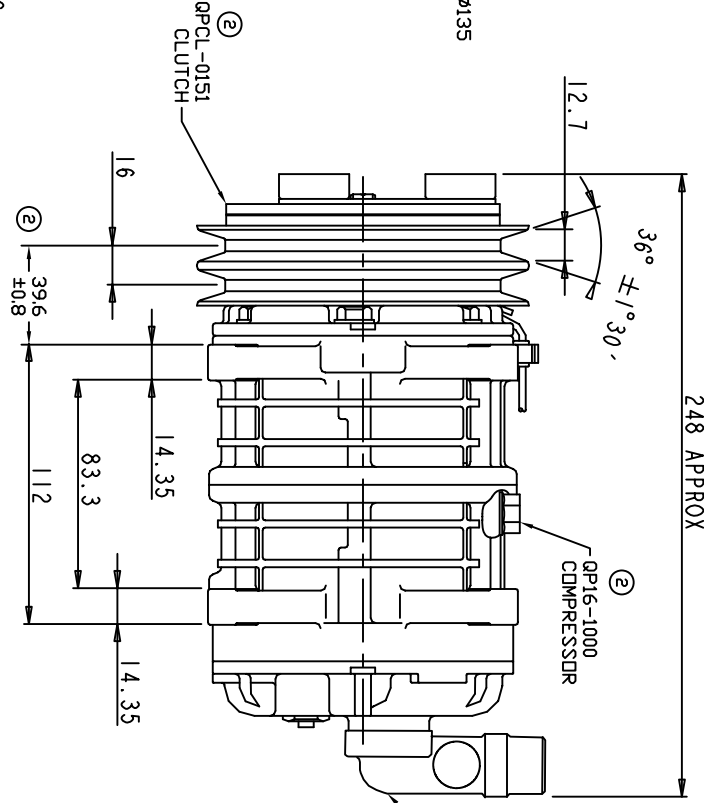
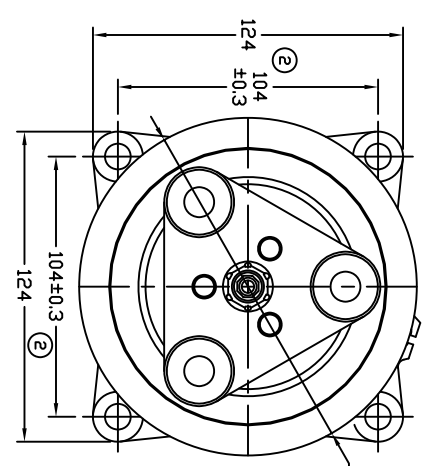


TERMINAL LEAD DETAIL

REVISIONS			DATE	APPROVED
CHANGE ORDER	LTR	DESCRIPTION		
008023	1	PAG 46 WAS PAG 100	08/25/08	
009035	2	ADDED TOLERANCES & PART NOS	10/28/09	



CLUTCH SPECIFICATIONS:

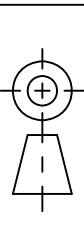
- VOLTAGE..... 12 VDC
- BELT..... A2
- STATIC TORQUE  
 INITIAL..... 35 Nm (3.5 kgfm)  
 AFTER BURNISHING..... 49 Nm (5 kgfm)
- MAX POWER CONSUMPTION..... 45W @ 25°C  
 CW OR CCW
- ROTATION DIRECTION..... CW OR CCW
- WEIGHT..... 2.25 kg

COMPRESSOR SPECIFICATIONS:

- MODEL..... QP16
- NUMBER OF CYLINDERS..... 6
- BORE X STROKE..... 36 X 26.7 mm
- DISPLACEMENT..... 162.9 cm<sup>3</sup>/REV
- SPEED RANGE..... 700 - 6000 RPM  
 CW OR CCW
- ROTATION DIRECTION..... CW OR CCW
- REFRIGERANT..... R-134a
- LUBRICANT..... PAG 46 180+20cm<sup>3</sup>
- WEIGHT..... 4.7 kg

UNLESS OTHERWISE SPECIFIED  
 DIMENSIONS ARE IN MM PER  
 INTERPRET DIM AND TOL PER  
 ASME Y14.5M - 1994

THIRD ANGLE PROJECTION



**DOLE PRODUCTS, LLC**

TITLE  
 COMPRESSOR ASSEMBLY  
 QP16HD V-3/4 7/8  
 A2 135mm 12V 3-EYE

SCALE NONE  
 SHEET 1 OF 1

FINISH	APPROVED	ENG APPVL	DATE	DATE	DATE
			05/08/07		