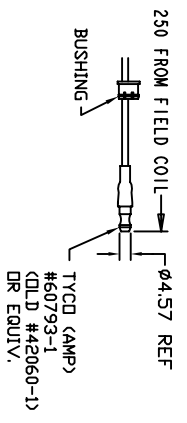
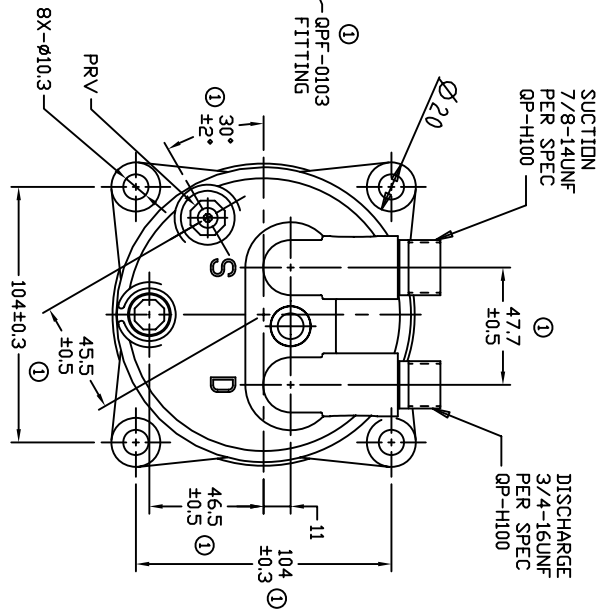
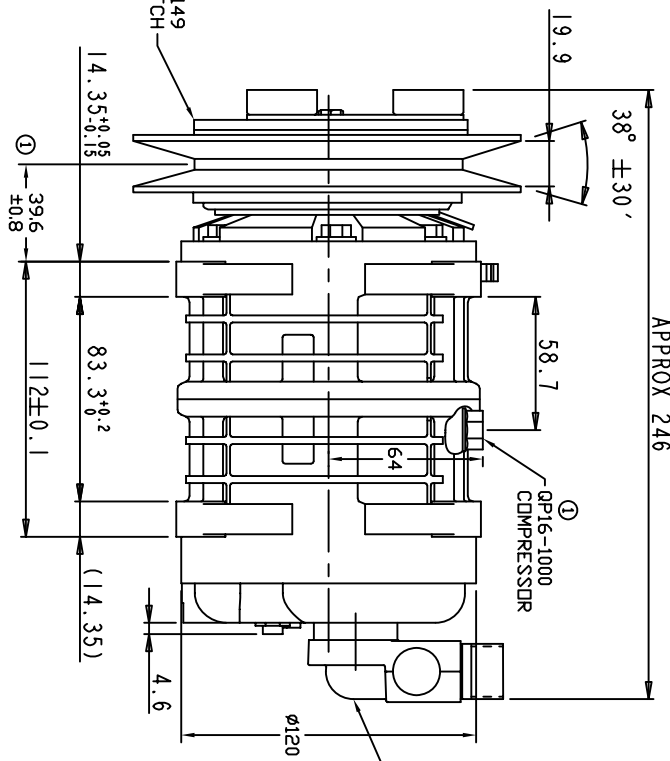
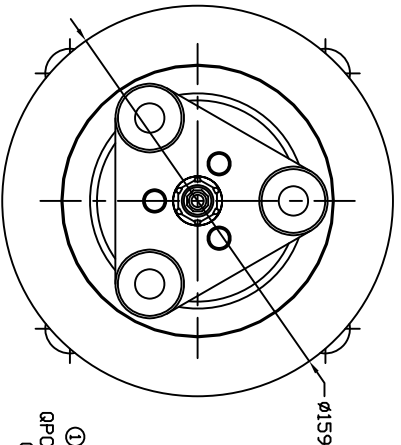


REVISIONS		DATE	APPROVED
CHANGE ORDER	LTR	DESCRIPTION	
009035	1	ADDED TOLERANCES & PART NOS	11/02/09



TERMINAL LEAD DETAIL



- B CLUTCH SPECIFICATIONS:**
- VOLTAGE..... 24 VDC
 - BELT..... A1 DR B1
 - STATIC TORQUE
 INITIAL..... 35 Nm (3.5 Kgfm)
 AFTER BURNISHING..... 49 Nm (5 Kgfm)
 - MAX POWER CONSUMPTION..... 45W @ 25°C
 - ROTATION DIRECTION..... CW OR CCW
 - WEIGHT..... 2.85 Kg

- A COMPRESSOR SPECIFICATIONS:**
- MODEL..... QP16HD
 - NUMBER OF CYLINDERS..... 6
 - BORE X STROKE..... 36 X 26.7 mm
 - DISPLACEMENT..... 162.9 cm³/REV
 - SPEED RANGE..... 700 - 6000 RPM
 - ROTATION DIRECTION..... CW OR CCW
 - REFRIGERANT..... R-134a
 - LUBRICANT..... PAG 46 180+20 cm³
 - WEIGHT..... 4.7 Kg

UNLESS OTHERWISE SPECIFIED
 DIMENSIONS ARE IN MM. PER
 INTERPRET DIM AND TOL. PER
 ASME Y14.5M - 1994

THIRD ANGLE PROJECTION



CAD GENERATED DRAWING, DO NOT MANUALLY UPDATE	DATE
GLB	07/01/08

CHECKED

APPROVED

FINISH



TITLE
 COMPRESSOR ASSEMBLY

QP16HD V-3/4 7/8
 VARIABLE GROOVE 159mm 24V 3-EYE

SIZE A
 CODE IDENT NO DWG NO QP16-1192
 SCALE NONE SHEET 1 OF 1