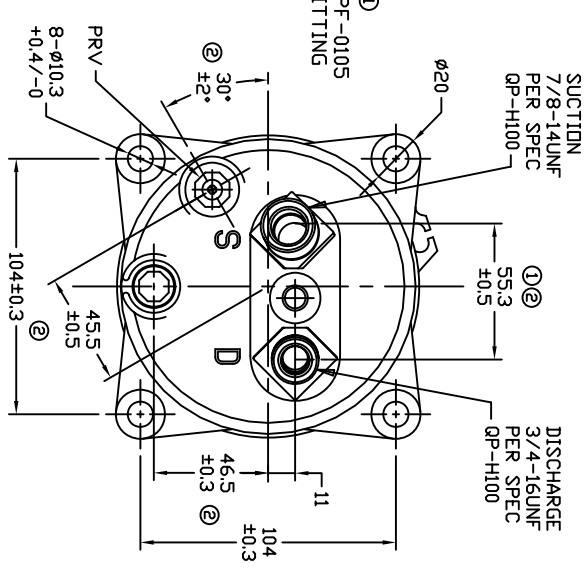
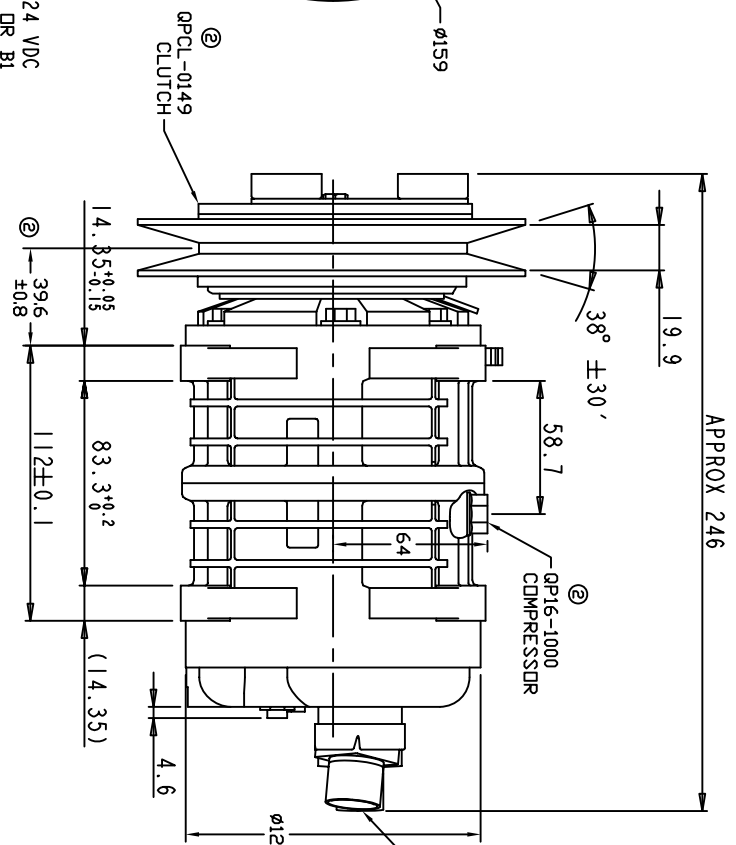
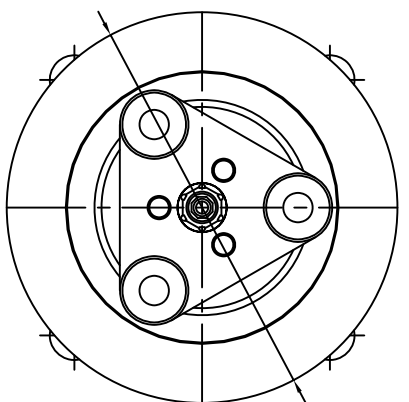


TERMINAL LEAD DETAIL

REVISIONS			DATE	APPROVED
CHANGE ORDER	LTR	DESCRIPTION	DATE	APPROVED
009032	1	SS3 WAS 58, ADDED #QP-0105	07/23/09	
009035	2	ADDED TOLERANCES & PART NOS	11/02/09	



- B CLUTCH SPECIFICATIONS:**
- VOLTAGE.....24 VDC
  - BELL.....A1 DR B1
  - STATIC TORQUE.....35 Nm (3.5 kgfm)
  - AFTER BURNISHING.....49 Nm (5 kgfm)
  - MAX POWER CONSUMPTION.....45W @ 25°C
  - ROTATION DIRECTION.....CW OR CCW
  - WEIGHT.....2.85 kg

- COMPRESSOR SPECIFICATIONS:**
- MODEL.....QP16HD
  - NUMBER OF CYLINDERS.....6
  - BORE X STROKE.....36 X 26.7 mm
  - DISPLACEMENT.....162.9 cm<sup>3</sup>/REV
  - SPEED RANGE.....700 - 6000 RPM
  - ROTATION DIRECTION.....CW OR CCW
  - LUBRICANT.....R-134a
  - WEIGHT.....PAG 46 180±20 cm<sup>3</sup>
  - WEIGHT.....4.7 kg

UNLESS OTHERWISE SPECIFIED  
DIMENSIONS ARE IN MM. PER  
INTERPRET DIM AND TOL. PER  
ASME Y14.5M - 1994

**QAU** PRODUCTS, LLC

COMPRESSION ASSEMBLY

QP16HD H-3/4 7/8

VARIABLE GROOVE 159mm 24V 3-EYE

THIRD ANGLE PROJECTION	CAD GENERATED DRAWING, DO NOT MANUALLY UPDATE	DATE	TITLE	SCALE	SHEET	OF
CHECKED	GLB	07/01/08	COMPRESSION ASSEMBLY	NONE	1	1
APPROVED	ENG APPVL					
FINISH						