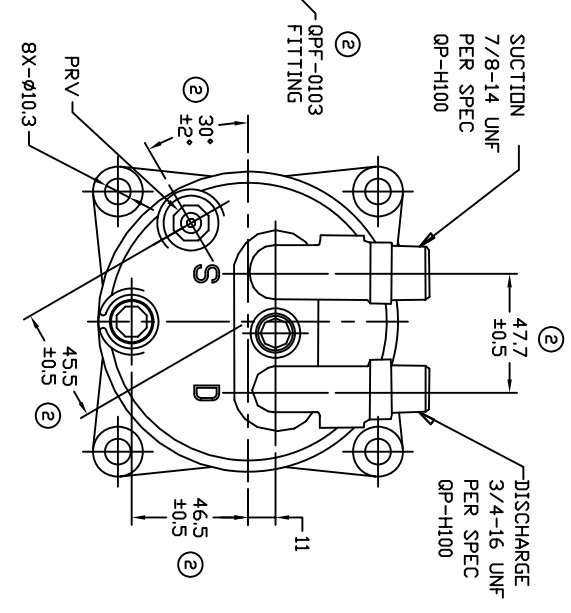
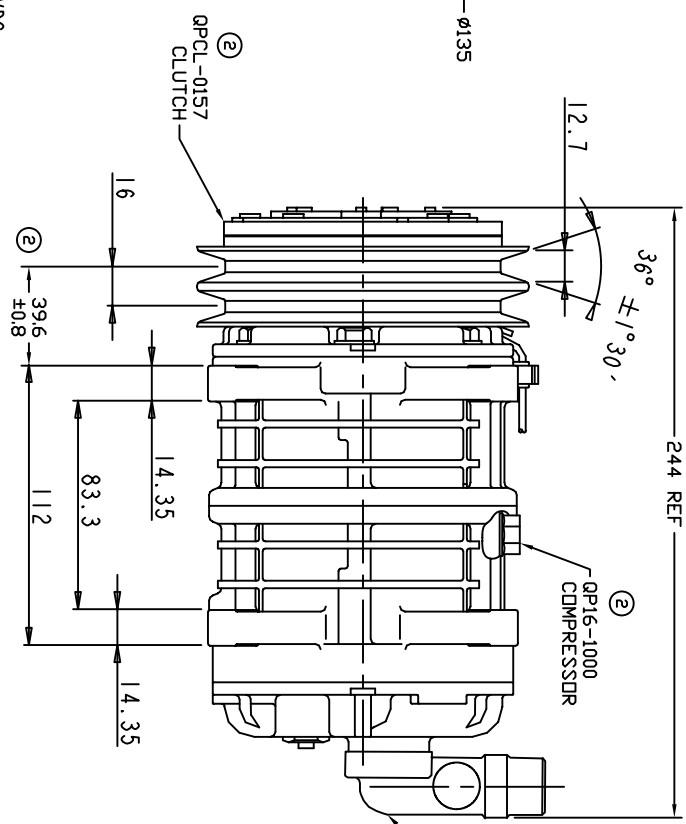
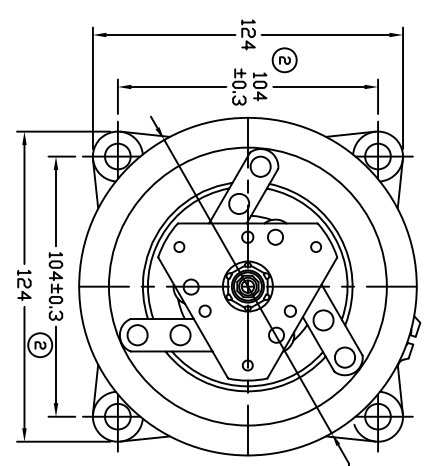


TERMINAL LEAD DETAIL



REVISIONS		DATE	APPROVED
CHANGE ORDER	LTR	DESCRIPTION	
009035	2	REDRAWN, ADDED TOLERANCES & PART NOS	11/03/09

CLUTCH SPECIFICATIONS:

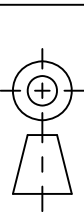
- VOLTAGE..... 12 VDC
- BELT..... A2
- STATIC TORQUE  
 INITIAL..... 35 Nm (3.5 Kgfm)  
 AFTER BURNISHING..... 49 Nm (5 Kgfm)
- MAX POWER CONSUMPTION..... 45W @ 25°C  
 CW OR CCW
- ROTATION DIRECTION..... CW OR CCW
- WEIGHT..... 2.25 Kg

COMPRESSOR SPECIFICATIONS:

- MODEL..... QP16
- NUMBER OF CYLINDERS..... 6
- BORE X STROKE..... 36 X 26.7 mm
- DISPLACEMENT..... 162.9 cm<sup>3</sup>/REV
- SPEED RANGE..... 700 - 6000 RPM
- ROTATION DIRECTION..... CW OR CCW
- REFRIGERANT..... R-134a
- LUBRICANT..... PAG 46 180+20cm<sup>3</sup>
- WEIGHT..... 4.7 Kg

UNLESS OTHERWISE SPECIFIED  
 DIMENSIONS ARE IN MM. PER  
 INTERPRET DIM AND TOL. PER  
 ASME Y14.5M - 1994

THIRD ANGLE PROJECTION



CAD GENERATED DRAWING, DO NOT MANUALLY UPDATE	DATE
GLB	08/10/07

CHECKED  
 APPROVED

ENG APPVL

**DOLE PRODUCTS, LLC**

TITLE  
 COMPRESSOR ASSEMBLY

QP16HD V-3/4 7/8  
 A2 135mm 12V LEAF SPRING

SCALE NONE  
 SHEET 1 OF 1