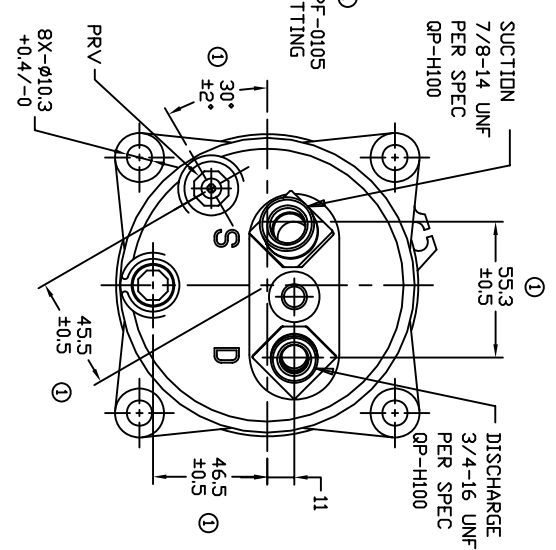
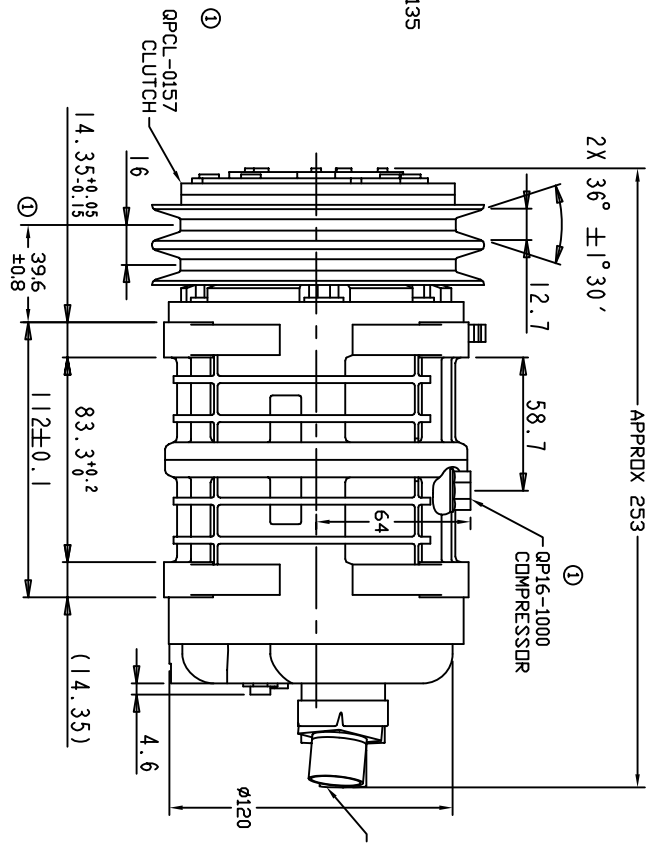
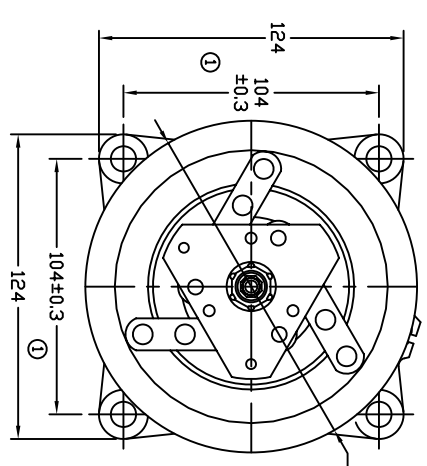


250 FROM FIELD COIL

REVISIONS				
CHANGE ORDER	LTR	DESCRIPTION	DATE	APPROVED
009032, 35	1	ADDED TOLERANCES & PART NRS	11/03/09	



**CLUTCH SPECIFICATIONS:**

- VOLTAGE..... 12 VDC
- BELT.....A2
- STATIC TORQUE.....35 Nm (3.5 kgfm)
- INITIAL AFTER BURNISHING.....49 Nm (5 kgfm)
- MAX POWER CONSUMPTION.....45W @ 25°C
- ROTATION DIRECTION.....CW OR CCW
- WEIGHT.....2.25 Kg

**COMPRESSOR SPECIFICATIONS:**

- MODEL..... QP16HD
- NUMBER OF CYLINDERS..... 6
- BORE X STROKE..... 36 X 26.7 mm
- DISPLACEMENT..... 162.9 cm<sup>3</sup>/REV
- SPEED RANGE..... 700 - 6000 RPM
- ROTATION DIRECTION..... CW OR CCW
- REFRIGERANT..... R-134a
- LUBRICANT..... PAG 46 180+20 CM3
- WEIGHT..... 4.7 Kg

UNLESS OTHERWISE SPECIFIED  
DIMENSIONS ARE IN MM PER  
INTERPRET DIM AND TOL PER  
ASME Y14.5M - 1994



THIRD ANGLE PROJECTION		CAD GENERATED DRAWING; DO NOT MANUALLY UPDATE		TITLE	
	CHECKED	GLB	DATE	COMPRESSOR ASSEMBLY	
FINISH	APPROVED		04/13/09	QP16HD H-3/4 7/8	
ENG APPVL				A2 135mm 12V LEAF SPRING	
				QP16-1523	
				SCALE: NONE SHEET 1 OF 1	