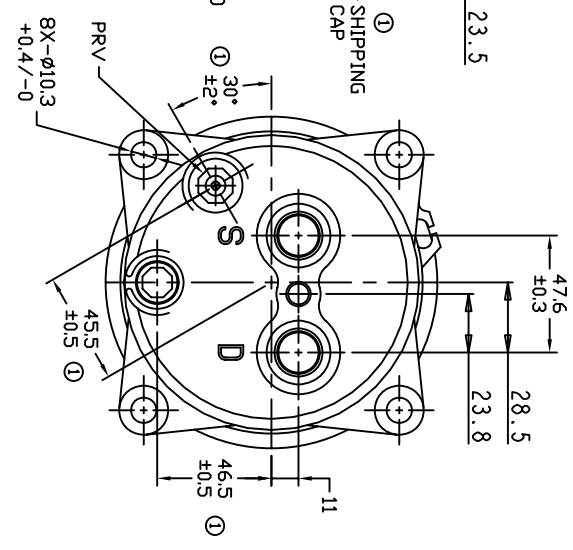
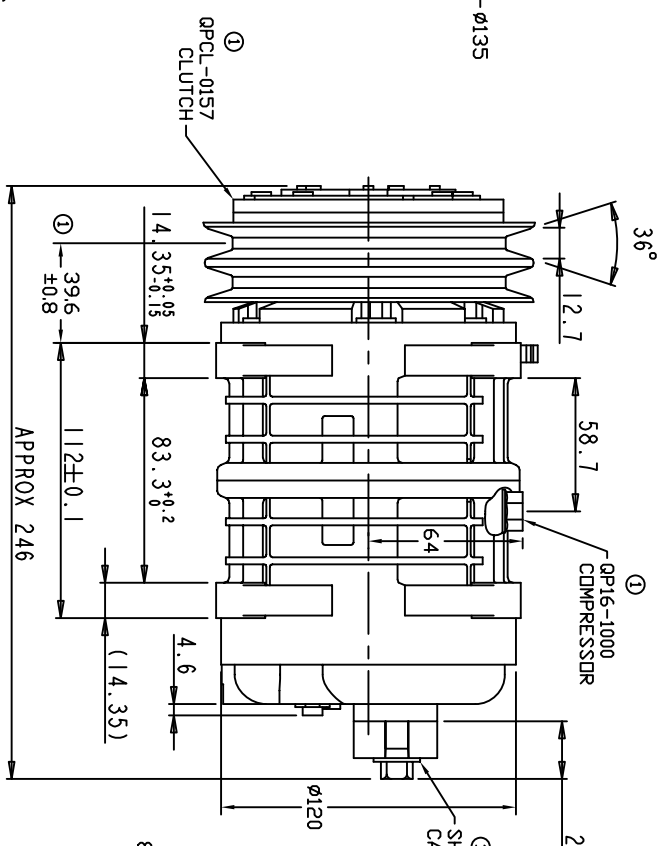
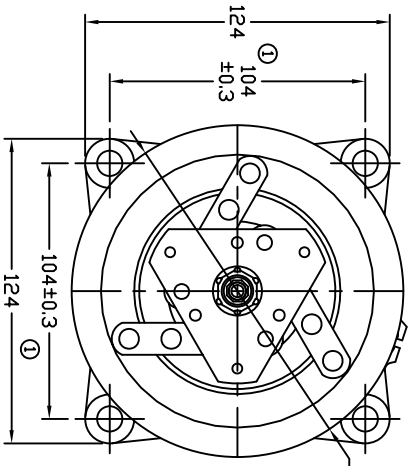


TERMINAL LEAD DETAIL

REVISIONS		DATE	APPROVED
CHANGE ORDER	LTR	DESCRIPTION	
009035	1	ADDED TOLERANCES & PART NOS	11/03/09



CLUTCH SPECIFICATIONS:

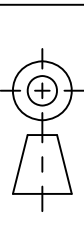
- VOLTAGE.....12 VDC
- BELT.....A2
- STATIC TORQUE.....35 Nm (3.5 Kgfm)
- AFTER BURNISHING.....49 Nm (5 Kgfm)
- MAX POWER CONSUMPTION.....45W @ 25°C
- ROTATION DIRECTION.....CW OR CCW
- WEIGHT.....2.30 Kg

COMPRESSOR SPECIFICATIONS:

- MODEL.....GP16HD
- NUMBER OF CYLINDERS.....6
- BORE X STROKE.....36 X 26.7 mm
- DISPLACEMENT.....162.9 cm<sup>3</sup>/REV
- SPEED RANGE.....700 - 6000 RPM
- ROTATION DIRECTION.....CW OR CCW
- REFRIGERANT.....R-134a
- LUBRICANT.....PAG 46 180+20cm<sup>3</sup>
- WEIGHT.....4.7 Kg

UNLESS OTHERWISE SPECIFIED  
 DIMENSIONS ARE IN MM. PER  
 INTERPRET DIM AND TOL. PER  
 ASME Y14.5M - 1994

THIRD ANGLE PROJECTION



FINISH	APPROVED	ENG APPVL



TITLE	SCALE	SHEET	OF
COMPRESSOR ASSEMBLY GP16HD H-PAD A2 135mm 12V LEAF SPRING	NONE	1	1