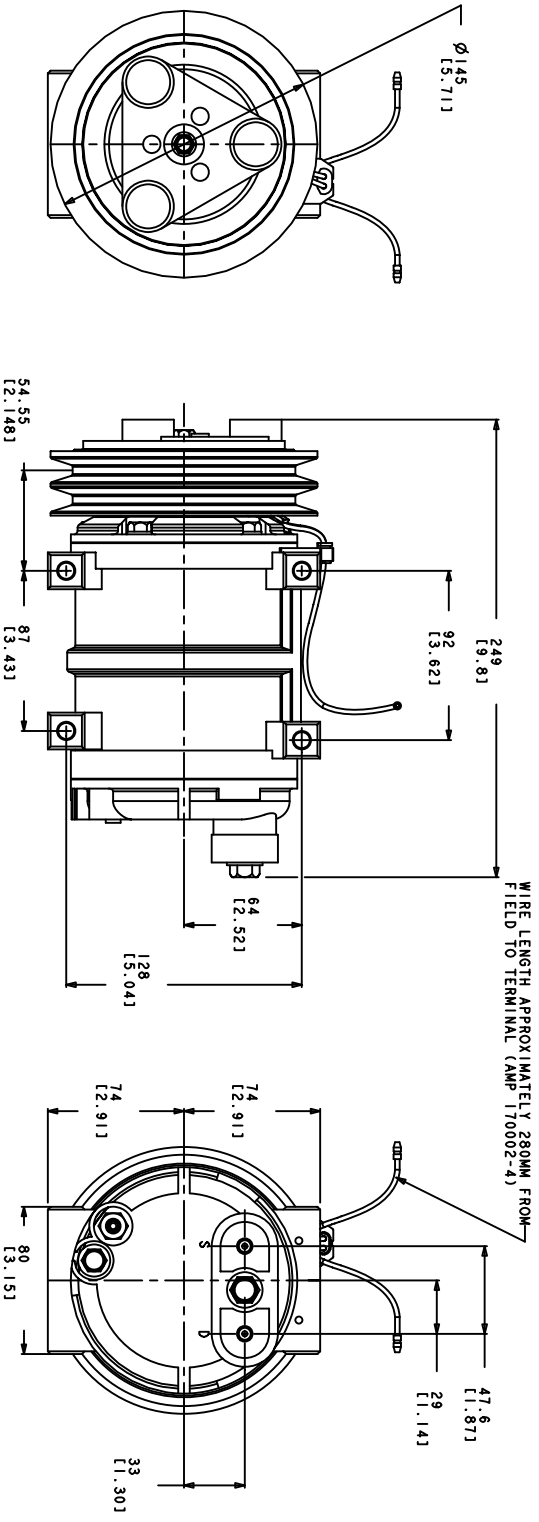


REVISIONS			
DATE	APPROVED	DESCRIPTION	REV
09/28/08		ADDED 46' TO PAGES DIMENSIONS	1

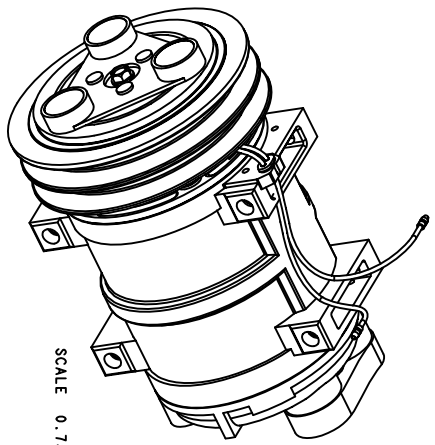


CLUTCH SPECIFICATIONS:

- 1. VOLTAGE.....24 VDC
- 2. BELT.....2A
- 3. STATIC TORQUE.....40Nm
- INITIAL.....
- AFTER BURNISHING.....59Nm
- 4. MAX POWER CONSUMPTION.....45W @ 25°C
- 5. ROTATION DIRECTION.....CW OR CCW
- 6. WEIGHT.....31 Kg

COMPRESSOR SPECIFICATIONS:

- 1. MODEL.....QP21HD
- 2. NUMBER OF CYLINDERS.....10
- 3. BORE X STROKE..... $\varnothing 32 \times 26.7$ mm
- 4. DISPLACEMENT.....214.7 cm³
- 5. SPEED RANGE.....700-6000 RPM
- 6. ROTATION DIRECTION.....CW OR CCW
- 7. REFRIGERANT.....R-134a
- 8. LUBRICANT.....PAG 46 180cc
- 9. WEIGHT.....51Kg



	THIRD ANGLE PROJECTION	DATE	DATE
		FINISH	DATE
	DAVE PRODUCTS, LLC ASSEMBLY COMPRESSOR QP21 HD	CHECKED APPROVED	DATE DATE
TITLE QP21-15651	SCALE NAME QP21-15651	SHEET 1 OF 1	DATE