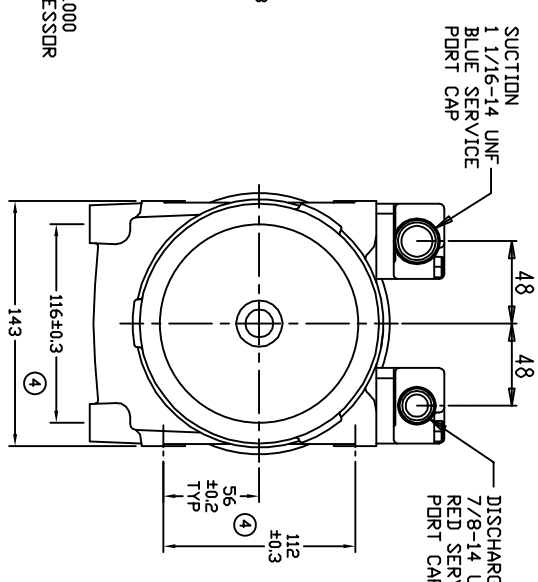
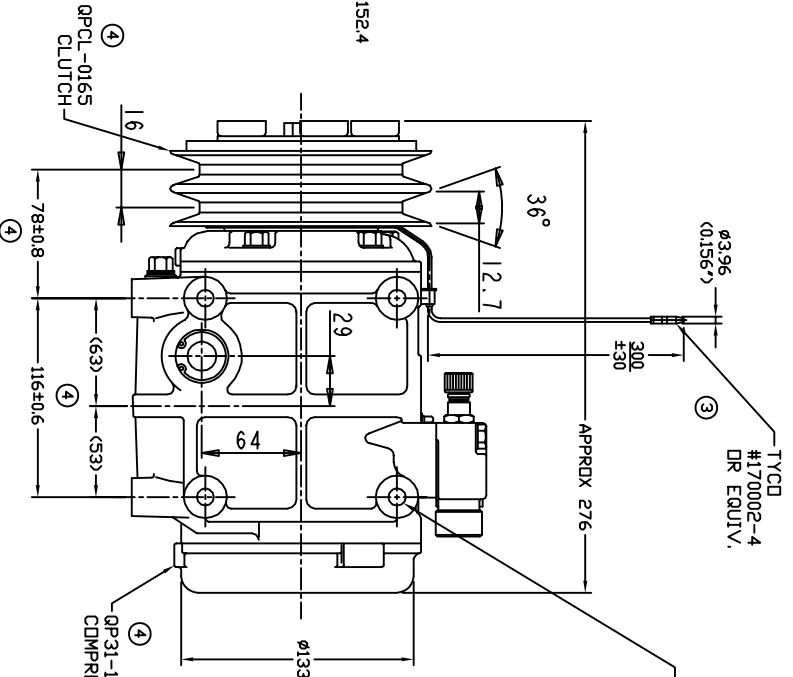
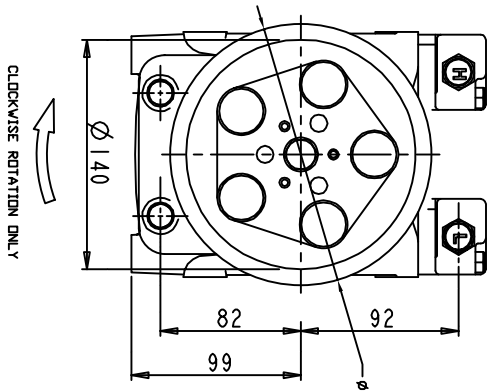


COMPRESSOR SPECIFICATIONS:

1. MODEL.....QP31
2. NUMBER OF CYLINDERS.....10
3. BORE X STROKE.....36 X 30.7 mm
4. DISPLACEMENT.....313 cm³/rev
5. SPEED RANGE.....700 - 5000 RPM
6. ROTATION DIRECTION.....CLOCKWISE
7. REFRIGERANT.....R-134a
8. LUBRICANT.....PAG 46 500+30 cm³
9. MASS.....10.7 kg

CLUTCH SPECIFICATIONS:

1. VOLTAGE.....12 VDC
2. BELT.....A2
3. MIN STATIC TORQUE.....78 Nm (8 kgfm)
4. MAX POWER CONSUMPTION.....46W @ 25°C
5. MINIMUM PULL-IN VOLTAGE.....10.5V @ 90°C
6. MASS.....4.7 kg



CHANGE ORDER		REVISIONS		
CHANGE ORDER	LTR	DESCRIPTION	DATE	APPROVED
008023	1	PAG 46 WAS PAG 100	08/28/08	
ENG	2	152.4 WAS 158 (ICE typo)	07/15/09	
009033	3	ADDED CONNECTOR & WIRE LENGTH	08/28/09	
009030, 34	4	ADDED TOLERANCES, MTG HOLES, PART NOS	11/23/09	

UNLESS OTHERWISE SPECIFIED
DIMENSIONS ARE IN MM PER
INTERPRET DIM AND TOL PER
ASME Y14.5M - 1994

DOLE PRODUCTS, LLC

TITLE: COMPRESSOR ASSEMBLY
QP31
A2 152.4mm 12V 5-EYE

THIRD ANGLE PROJECTION	CAD GENERATED DRAWING, DO NOT MANUALLY UPDATE	DATE	APPROVED
CHECKED	GLB	05/08/07	ENG APPVL
FINISH	APPROVED		