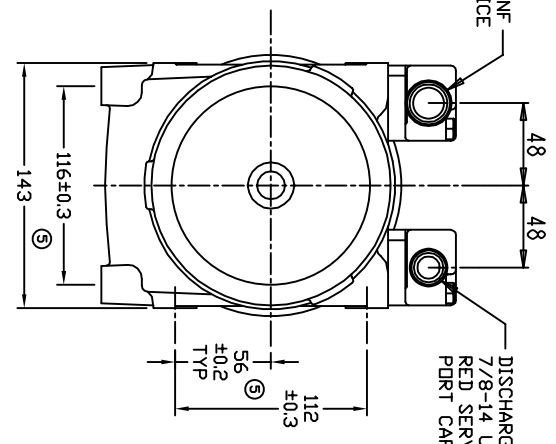
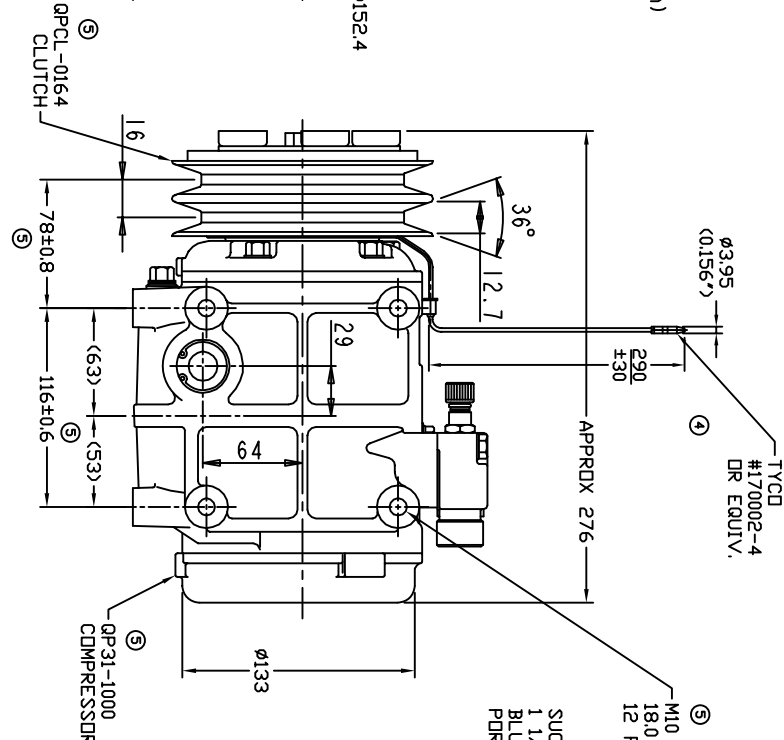
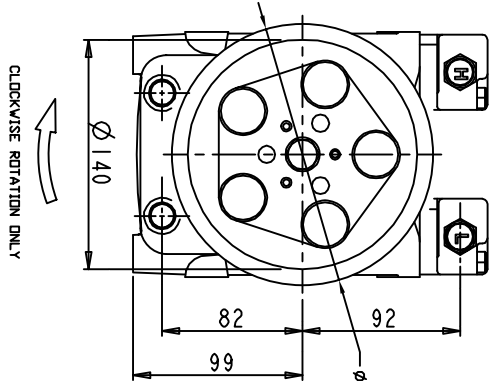


COMPRESSOR SPECIFICATIONS:

1. MODEL..... GP31
2. NUMBER OF CYLINDERS..... 10
3. BORE X STROKE..... 36 X 30.7 mm
4. DISPLACEMENT..... 313 cm<sup>3</sup>/rev
5. SPEED RANGE..... 700 - 5000 RPM
6. ROTATION DIRECTION..... CLOCKWISE
7. REFRIGERANT..... R-134a
8. LUBRICANT..... PAG 46 500+30 cm<sup>3</sup>
9. MASS..... 10.7 kg (2)

CLUTCH SPECIFICATIONS:

1. VOLTAGE..... 24 VDC
2. BELT..... A2
3. MIN STATIC TORQUE..... 78 N•m (8 kgfm)
4. MAX POWER CONSUMPTION..... 46W @ 25°C
5. MINIMUM PULL-IN VOLTAGE..... 10.5V @ 90°C
6. MASS..... 4.7 kg



CHANGE ORDER		REVISIONS		DATE	APPROVED
ORDER	LTR	DESCRIPTION			
ENG	1	REVISED		05/08/08	
008023	2	PAG 46 VAS PAG 100		08/28/08	
ENG	3	1524 VAS 158 (ICE type)		07/15/09	
009033	4	ADDED CONNECTOR & WIRE LENGTH		08/28/09	
009030, 34	5	ADDED TOLERANCES, MTG HOLE PART N/D'S		11/23/09	

UNLESS OTHERWISE SPECIFIED  
DIMENSIONS ARE IN MM. PER  
INTERPRET DIM AND TOL. PER  
ASME Y14.5M - 1994

**DOLE PRODUCTS, LLC**

TITLE: COMPRESSOR ASSEMBLY  
Q31

SIZE: A2 152.4mm 24V 5-EYE  
SCALE: NONE

THIRD ANGLE PROJECTION	CAD GENERATED DRAWING, DO NOT MANUALLY UPDATE	DATE	APPROVED	REV
CHECKED	GLB	08/10/07	ENG APPVL	5
FINISH				

