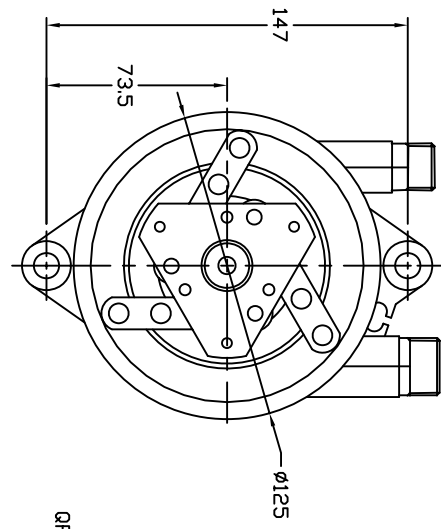


③ Connector: DELPHI 1530002 1 reqd  
 Terminals: DELPHI 12129497 2 reqd  
 (optional terminals: DELPHI 12048159 2 reqd)  
 Seal: DELPHI 12010293 2 reqd  
 Lockcap: DELPHI 15300014 1 reqd

TERMINAL LEAD DETAIL

REVISIONS			DATE	APPROVED
CHANGE ORDER	LTR	DESCRIPTION		
ENG	2	REDRAWN, NO CHANGE	08/29/08	
009010	3	DETAILED CONNECTOR (ADD CL PT NID)	08/25/09	
009035	4	ADDE TOLERANCE & PART NID	09/09/09	

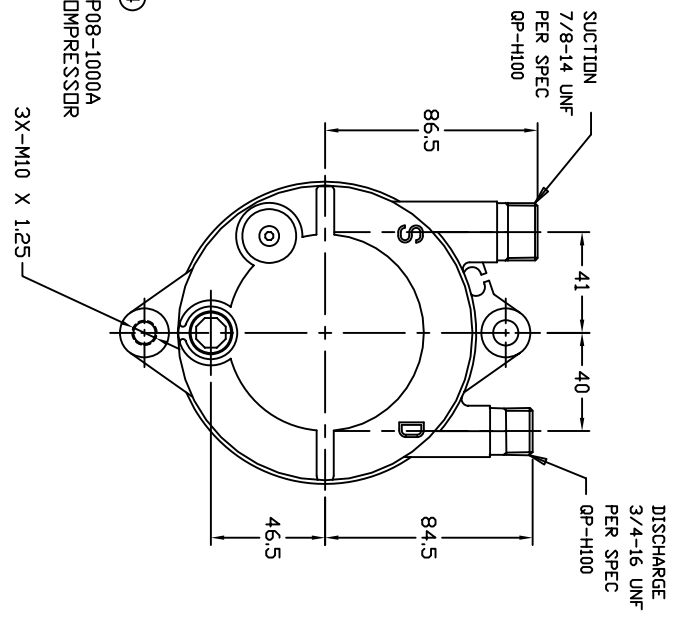
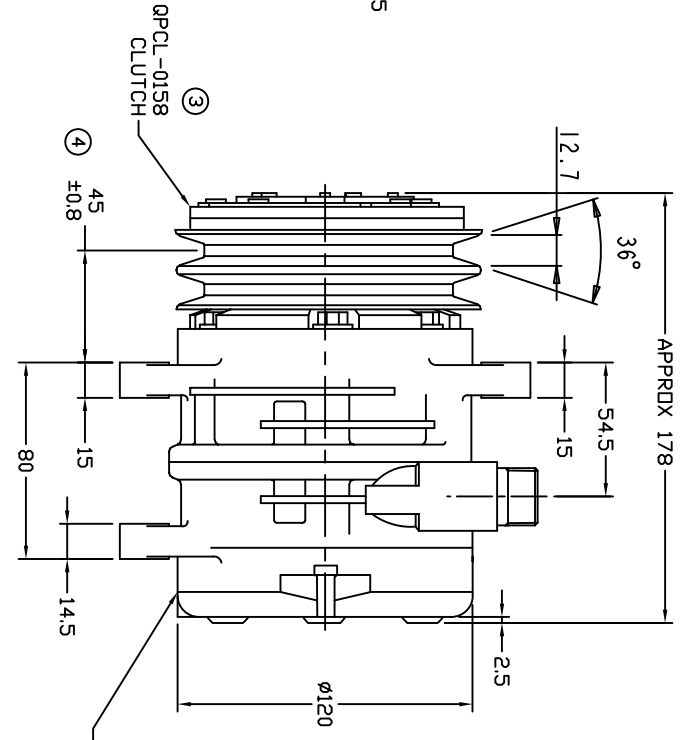


CLUTCH SPECIFICATIONS:

- VOLTAGE..... 12 VDC
- BELT..... A2
- STATIC TORQUE..... 35 Nm (3.5 kgfm)
- INITIAL AFTER BURNISHING..... 49 Nm (5 kgfm)
- MAX POWER CONSUMPTION..... 45W @ 25°C
- ROTATION DIRECTION..... CW OR CCW
- WEIGHT..... 2.25 KG

COMPRESSOR SPECIFICATIONS:

- MODEL..... QP08HD
- NUMBER OF CYLINDERS..... 6
- BORE X STROKE..... 36 X 13.4 mm
- DISPLACEMENT..... 82.0 cm<sup>3</sup>/REV
- SPEED RANGE..... 700 - 6000 RPM
- ROTATION DIRECTION..... CW OR CCW
- REFRIGERANT..... R-134a
- LUBRICANT..... PAG 46 150+20 cm<sup>3</sup>
- WEIGHT..... 4.1 Kg



UNLESS OTHERWISE SPECIFIED DIMENSIONS ARE IN MM PER INTERPRET DIM AND TOL PER ASME Y14.5M - 1994

CAD GENERATED DRAWING; DO NOT MANUALLY UPDATE

THIRD ANGLE PROJECTION	DRAWN	GLB	DATE
	CHECKED		05/08/07
	APPROVED		
FINISH	ENG APPVL		

TITLE	SCALE	SHEET	OF
COMPRESSOR ASSEMBLY QP08HD V-3/4 7/8 A2 125mm 12V LEAF SPRING	NONE	1	1
SIZE	CODE	IDENT	NO
A		QP08-1256	4

