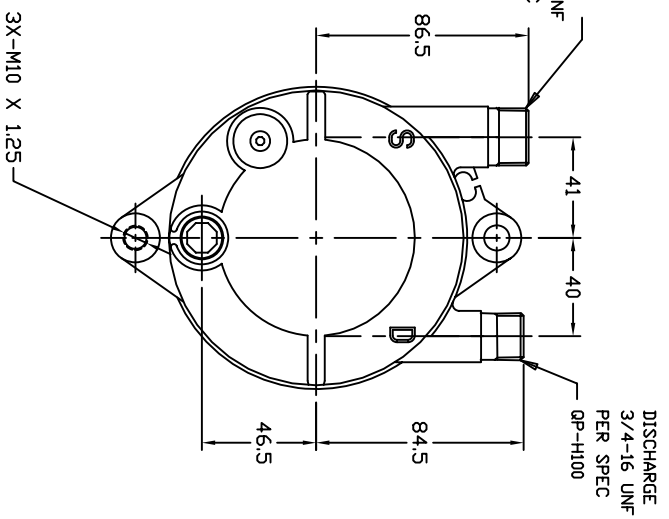
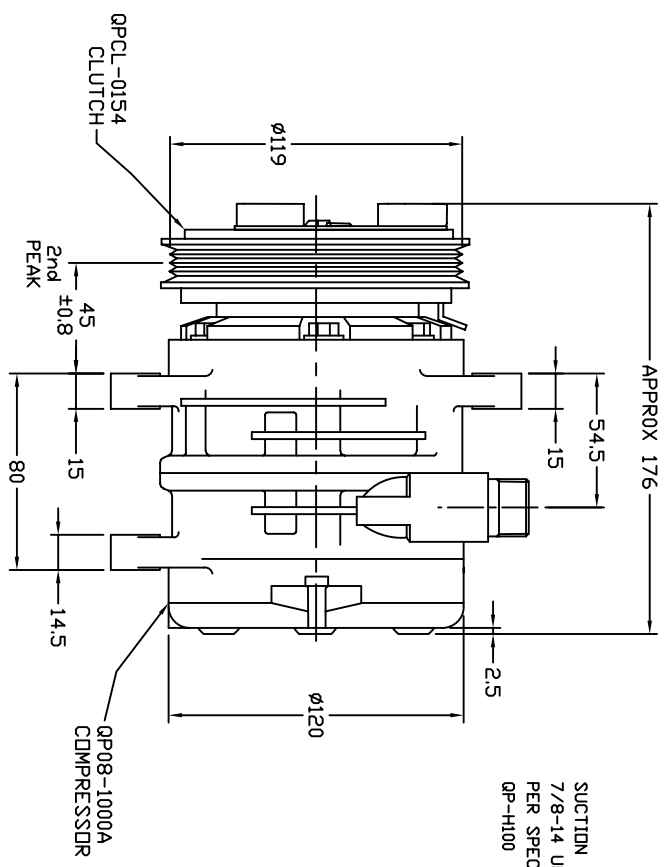
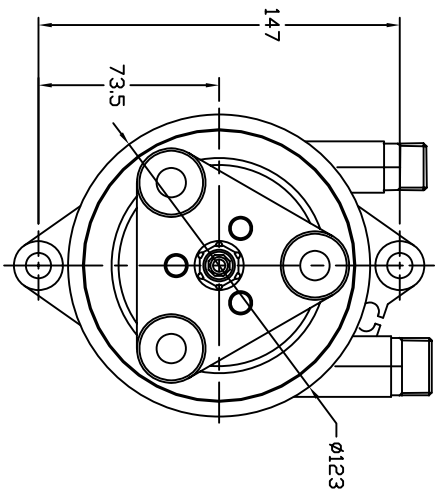
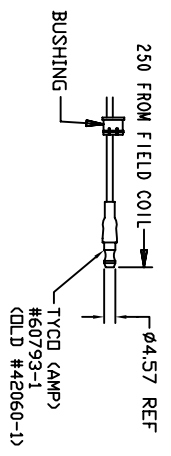


REVISIONS				
CHANGE ORDER	LTR	DESCRIPTION	DATE	APPROVED

**TERMINAL LEAD DETAIL**



**CLUTCH SPECIFICATIONS:**

- VOLTAGE..... 12 VDC
- BELT..... PV4
- STATIC TORQUE..... 35 Nm (3.5 Kgfm)
- MAX POWER CONSUMPTION..... 49 Nm (5 Kgfm)
- ROTATION DIRECTION..... CW OR CCW
- WEIGHT..... 2.25 Kg

**COMPRESSOR SPECIFICATIONS:**

- MODEL..... QP08HD
- NUMBER OF CYLINDERS..... 6
- BORE X STROKE..... 36 X 13.4 mm
- DISPLACEMENT..... 82.0 cm<sup>3</sup>/REV
- SPEED RANGE..... 700 - 6000 RPM
- ROTATION DIRECTION..... CW OR CCW
- REFRIGERANT..... R-134a
- LUBRICANT..... PAG 46 150+20 cm<sup>3</sup>
- WEIGHT..... 4.1 Kg

UNLESS OTHERWISE SPECIFIED  
DIMENSIONS ARE IN MM PER  
INTERPRET DIM AND TOL PER  
ASME Y14.5M - 1994

**QUE PRODUCTS, LLC**

CAD GENERATED DRAWING;  
DO NOT MANUALLY UPDATE

TITLE  
COMPRESSOR ASSEMBLY

THIRD ANGLE PROJECTION

QP08HD V-3/4 7/8  
PV4 119mm 12V 3-EYE



SIZE A  
SCALE: NONE

FINISH

QP08-1261 REV