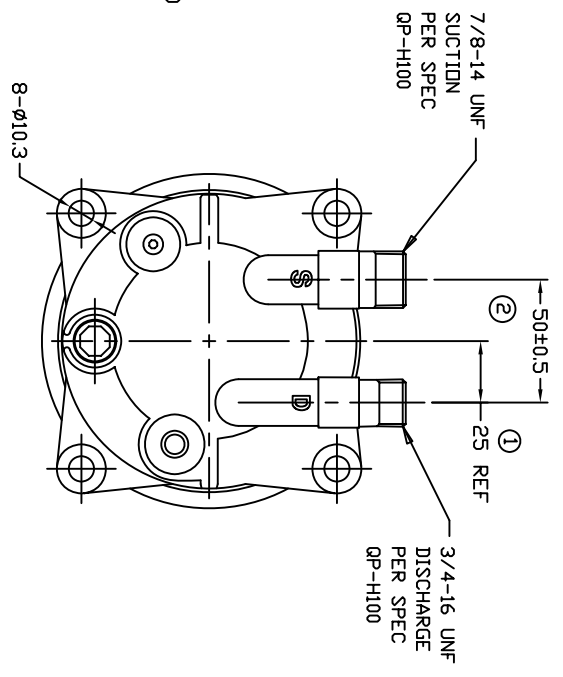
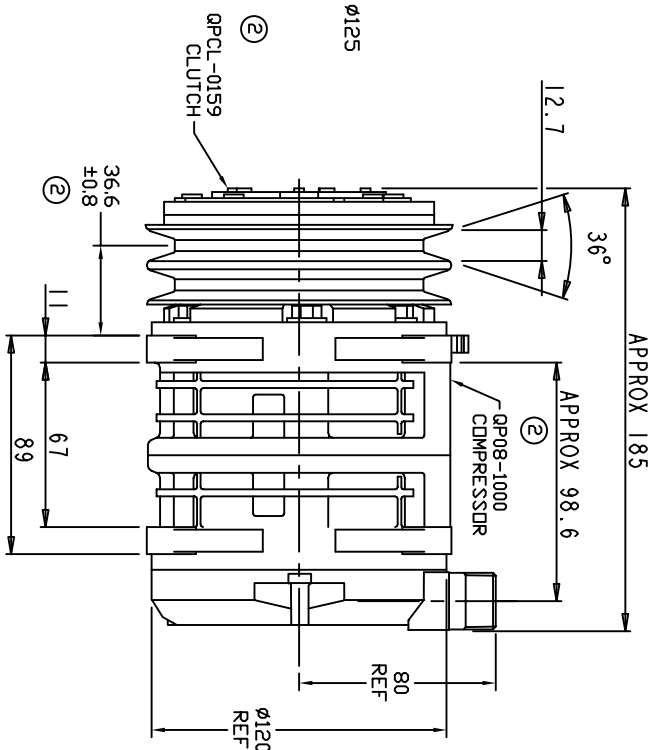
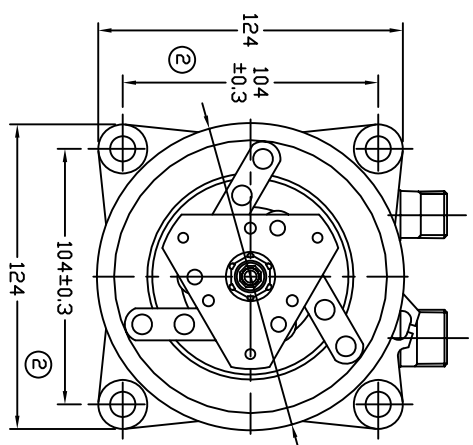


TERMINAL LEAD DETAIL



REVISIONS			DATE	APPROVED
CHANGE ORDER	LTR	DESCRIPTION		
ENG	1	VERTICAL FITTINGS @ 25 WERE 14° 'V'	06/12/08	
008023	2	PAG 46 WAS PAG 100	08/21/08	
009035	3	ADDED TOLERANCES & PART NO'S	09/09/09	

CLUTCH SPECIFICATIONS:

- VOLTAGE..... 12 VDC
- BELT..... 2A
- STATIC TORQUE..... 2A
- INITIAL..... 35 Nm (3.5 Kgfm)
- AFTER BURNISHING..... 49 Nm (5 Kgfm)
- MAX POWER CONSUMPTION..... 45W @ 25°C
- ROTATION DIRECTION..... CW OR CCW
- WEIGHT..... 2.25 Kg

COMPRESSOR SPECIFICATIONS:

- MODEL..... QP08HD
- NUMBER OF CYLINDERS..... 6
- BORE X STROKE..... 36 X 13.4 mm
- DISPLACEMENT..... 82.0 cm<sup>3</sup>/REV
- SPEED RANGE..... 700 - 6000 RPM
- ROTATION DIRECTION..... CW OR CCW
- REFRIGERANT..... R-134a
- LUBRICANT..... PAG 46 150+20 cm<sup>3</sup>
- WEIGHT..... 4.1 Kg

UNLESS OTHERWISE SPECIFIED DIMENSIONS ARE IN MM PER INTERPRET DIM AND TOL PER ASME Y14.5M - 1994

CAD GENERATED DRAWING; DO NOT MANUALLY UPDATE

THIRD ANGLE PROJECTION	CHECKED	DATE
	APPROVED	03/24/08
FINISH	ENG APPVL	



TITLE	SCALE	SHEET	OF
COMPRESSOR ASSEMBLY QP08HD V-3/4 7/8 A2 125mm 12V LEAF SPRING	NONE	1	1
SIZE	CODE	IDENT NO	DWG NO
A			QP08-1307
REV			3